



DESCRIPTION	FIG	PAGE	SERIAL NO.
01 ENGINE, ENGINE MOUNTING	01	01	
02 COOLING SYSTEM	02	02	
03 ELECTRIC SYSTEM	03	03	
04 TRANSMISSION, UNIVERSAL JOINT	04	04	
05 REAR AXLE	05	05	
06 DISC WHEEL, CHAIN	06	06	
07 STEERING	07	07	
08 FRONT AXLE	08	08	
09 BRAKE SYSTEM	09	09	
10 FRAME	10	10	
11 DRIVERS CAB	11	11	
12 TOOLS, ACCESSORY, LETTERING	12	12	
13 HYDRAULIC SYSTEM	13	13	
14 BOOM, THRUST FRAME - ARM	14	14	
15 EQUIPMENT	15	15	

FIG. NO: 01 01 ENGINE, ENGINE MOUNTING

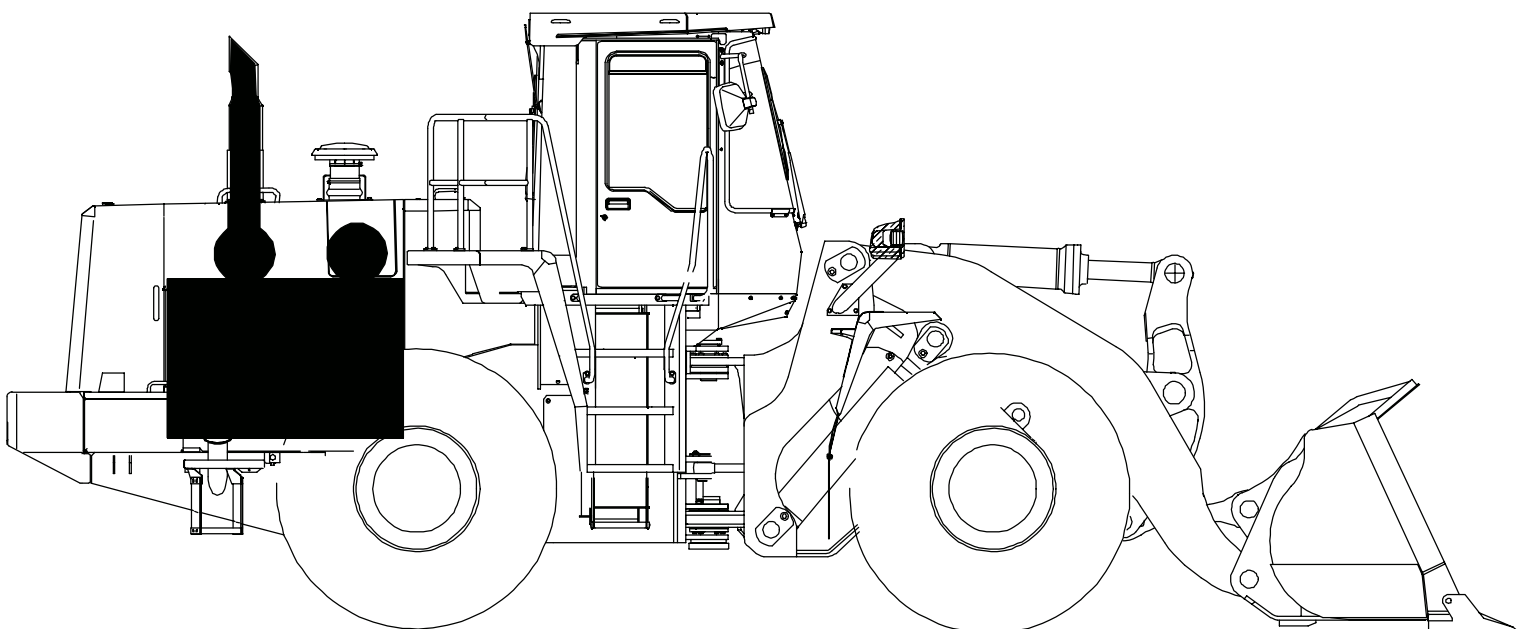
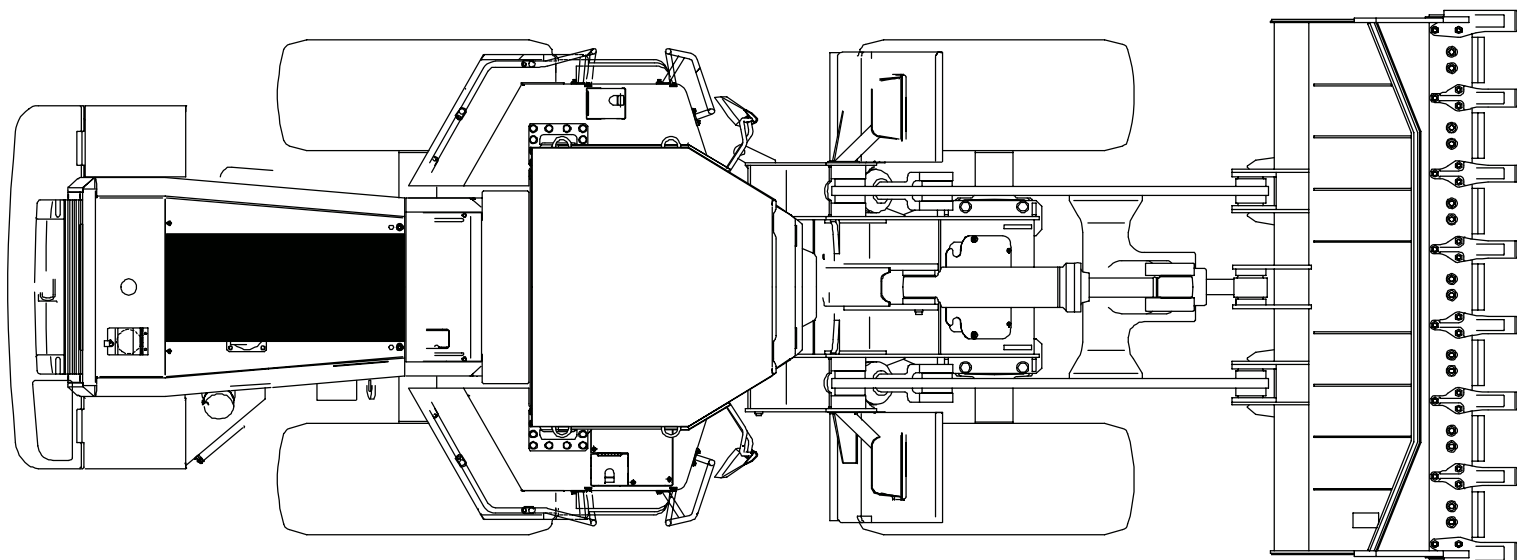


FIG. NO: 01

DESCRIPTION	FIG	PAGE	SERIAL NO.
00 MAINTENANCE KIT	MP	01-00	
01 ENGINE, ENGINE MOUNTING	GJ1K2321	01-01	
02 CYLINDER BLOCK AND ATTACHING PARTS	GJ1K2322	01-02	
03 GASKET KIT, CYLINDER BLOC	GJ1K2324	01-03	
04 CRANK ASSEMBLY	GJ1K2325	01-04	
05 CYLINDER HEAD AND ATTACHING PARTS	GJ1K2327	01-05	
06 GASKET KIT, CYLINDER BLOC	GJ1K2328	01-06	
07 CYLINDER HEAD COVER, ATTACHING PARTS	GJ1K2329	01-07	
08 TIMING GEAR CASE AND FLYWHEEL HOUSING	GJ1K2330	01-08	
09 ENGINE TIMING GEAR	GJ1K2333	01-09	
10 ENGINE LUBRICATION	GJ1K2338	01-10	
14 OIL FILTER	GJ1K2341	01-14	
15 WATER PUMP	GJ1K2342	01-15	
16 JOINT KIT, WATER PUMP	GJ1K2344	01-16	
17 FAN, BELT TENSIONER	GJ1K2345	01-17	
19 COOLING SYSTEM	GJ1K2347	01-19	
20 INJECTION SYSTEM	GJ1K2349	01-20	
21 INJECTION PUMP	GJ1K2356	01-21	
26 FUEL PUMP	GJ1K2357	01-26	
28 FUEL SYSTEM, PRE FILTER	GJ1K2358	01-28	
31 FUEL FILTER	GJ1K2659	01-31	
47 INTAKE MANIFOLD, TURBOCHARGER	GJ1K2360	01-47	
48 TURBOCHARGER	GJ1K2364	01-48	
49 AIR FILTER SYSTEM, STANDARD	GJ1K2367	01-49	
54 AIR FILTER	GJ1K2368	01-54	
57 EXHAUST SYSTEM	GJ1K2369	01-57	
60 ENGINE CONTROL	GJ1K2371	01-60	

FIG. NO: MP

INDEX NO.	PART NO.	DESCRIPTION	Q.TY	SERIAL NO.
1	425-99-H0P01	MAINTENANCE KIT	1	
2	600-411-1161	· CARTRIDGE	1	
3	07005-00812	· SEAL	1	
4	07005-00812	· SEAL	1	
5	07005-01412	· SEAL	1	
6	600-211-1340	· ELEMENT	1	
7	6217-51-5631	· O-RING	1	
8	6162-55-5220	· BREATHER	1	
9	6162-53-5430	· SEAL	1	
10	07005-01412	· SEAL	1	
11	6217-11-8820	· GASKET	6	
12	712-85-11731	· FILTER ELEMENT	1	
13	07000-02060	· O-RING	1	
14	20Y-60-11713	· SOLENOID VALVE	1	
15	600-185-6100	· AIR FILTER	1	
16	600-814-1350	· VACUATOR VALVE	1	
17	07000-15200	· O-RING	1	
18	363-04-11130	· VALVE	1	
19	07000-12085	· O-RING	1	
20	07056-18416	· SIEVE	1	
21	07058-20000	· FILTER	1	
22	6217-71-6110	· GASKET	6	
23	07000-E2020	· O-RING	6	
24	424-16-11140	· FILTER ELEMENT	2	
25	07000-12125	· O-RING	2	
26	600-311-3110	· FUEL FILTER	1	



FIG. NO: GJ1K2321 ENGINE, ENGINE MOUNTING

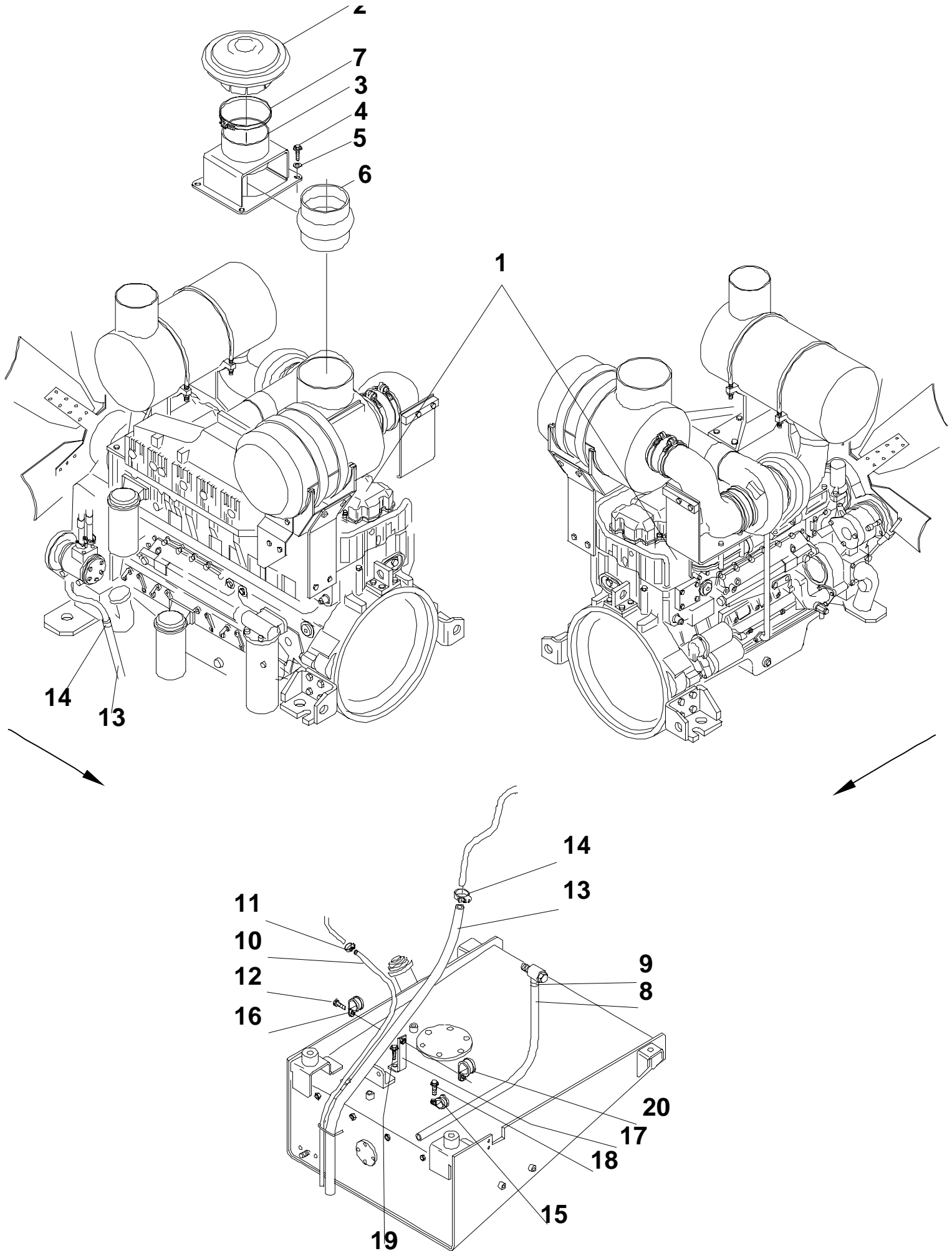


FIG. NO: GJ1K2321

INDEX NO.	PART NO.	DESCRIPTION	Q.TY	SERIAL NO.
1	6217-04-HH00	ENGINE SA6D140E-3	1	
2	600-18-13690	CAP	1	
3	425-01-23410	BRACKET	1	
4	01010-81225	SCREW	4	
5	12454-26540	PLAIN WASHER	4	
6	600-18-10680	HOSE	1	
7	07281-02169	CLIP	4	
8	07260-21490	HOSE	1	
9	07281-00259	CLIP	1	
10	07270-01090	HOSE	1	
11	07281-00167	CLIP	1	
12	01435-01020	SCREW	1	
13	07261-22012	HOSE	1	
14	07281-00359	CLIP	1	
15	04434-52511	CLIP	1	
16	04435-51310	CLIP	1	
17	363-43-37350	BRACKET	1	
18	01435-01020	SCREW	1	
19	01435-01016	SCREW	2	
20	04434-53211	CLIP	1	

FIG. NO: GJ1K2768 ENGINE, ENGINE MOUNTING

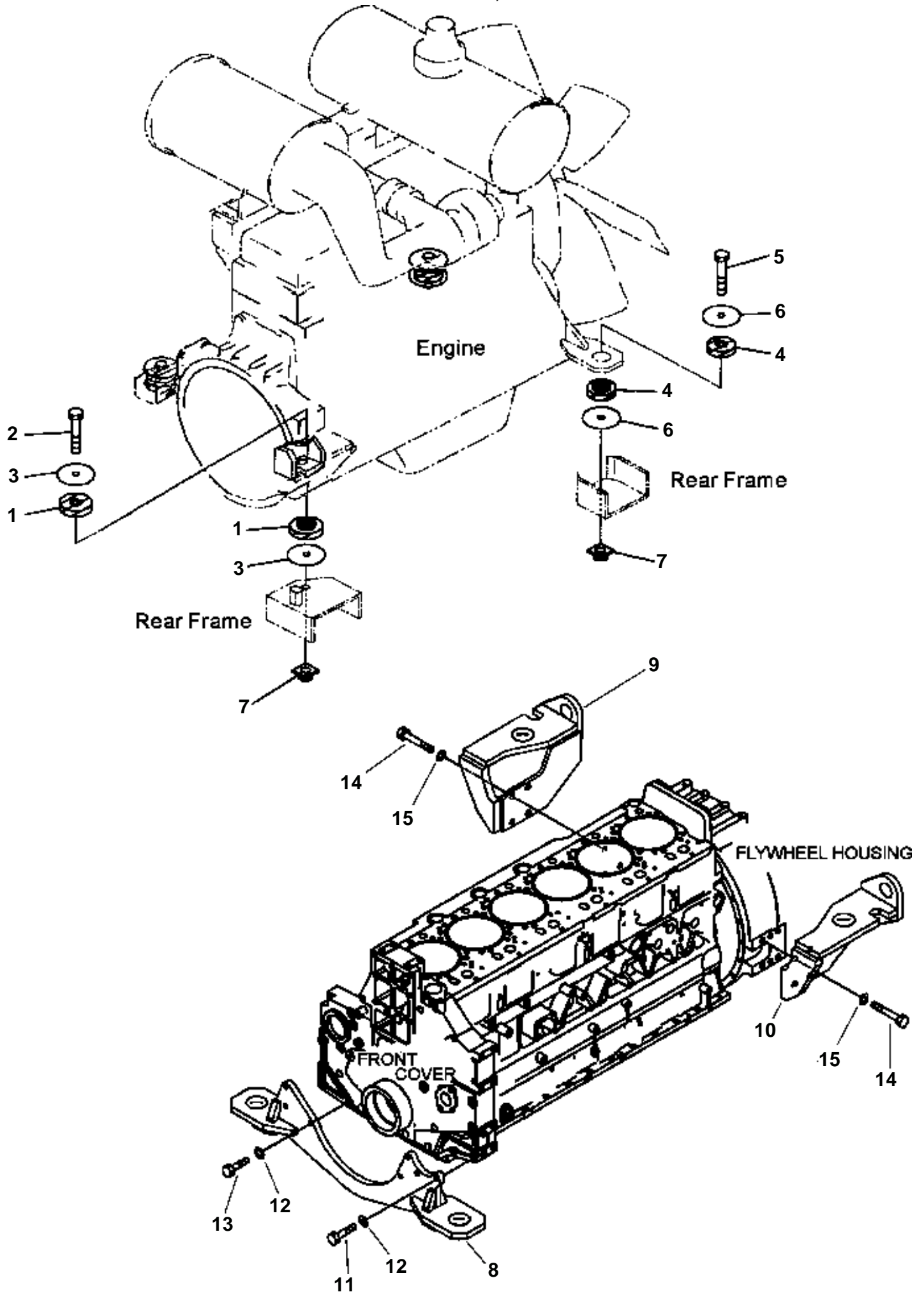




FIG. NO: GJ1K2768

INDEX NO.	PART NO.	DESCRIPTION	Q.TY	SERIAL NO.
1	425-01-11370	BUFFER	4	
2	01011-62225	SCREW	2	
3	424-01-11220	PLAIN WASHER	4	
4	425-01-11350	BUFFER	4	
5	01011-62225	SCREW	2	
6	419-01-11162	DISC	4	
7	425-01-11250	BRACKET	4	
8	6218-21-3710	BRACKET	1	
9	425-01-21111	BRACKET	1	
10	425-01-21121	BRACKET	1	
11	01011-81215	BOLT	4	
12	01643-31232	PLAIN WASHER	7	
13	01011-81210	SCREW	3	
14	01010-81645	SCREW	8	
15	01643-31645	PLAIN WASHER	8	

FIG. NO: GJ1K2745 ENGINE, ENGINE MOUNTING

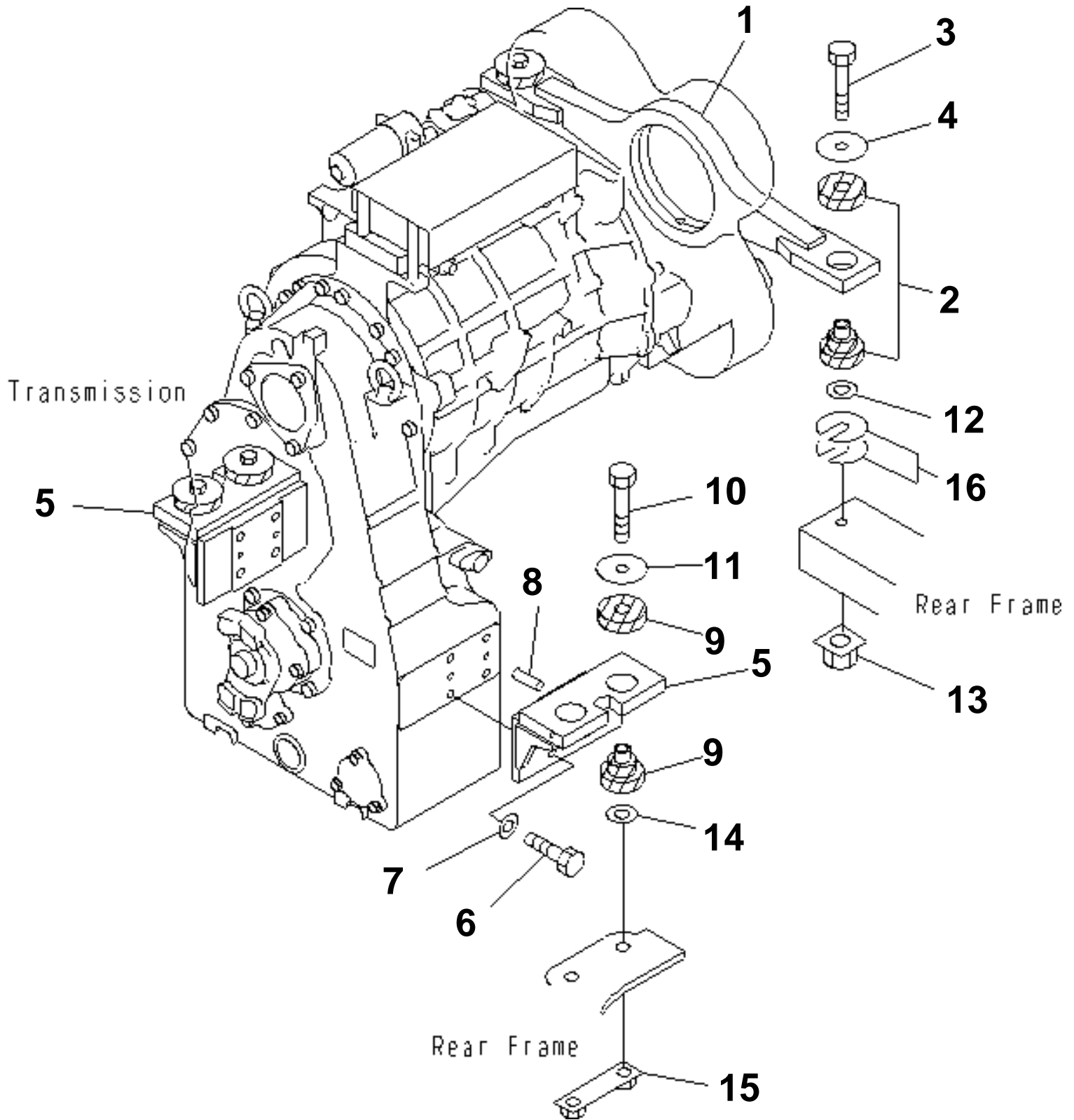


FIG. NO: GJ1K2745

INDEX NO.	PART NO.	DESCRIPTION	Q.TY	SERIAL NO.
1	425-14-11121	BRACKET	1	
2	418-01-11111	BUFFER	2	
3	01011-62230	SCREW	2	
4	419-01-11162	DISC	4	
5	425-14-11132	BRACKET	2	
6	01010-61650	SCREW	8	
7	01643-31645	PLAIN WASHER	8	
8	04020-01228	DOWEL	4	
9	418-01-11111	BUFFER	4	
10	01011-62230	SCREW	4	
11	419-01-11162	DISC	4	
12	419-01-11162	DISC	2	
13	425-01-11250	BRACKET	2	
14	419-01-11162	DISC	4	
15	425-14-11160	PLATE	2	
16	421-14-11170	DISC	16	

FIG. NO: GJ1K2322 CYLINDER BLOCK AND ATTACHING PARTS

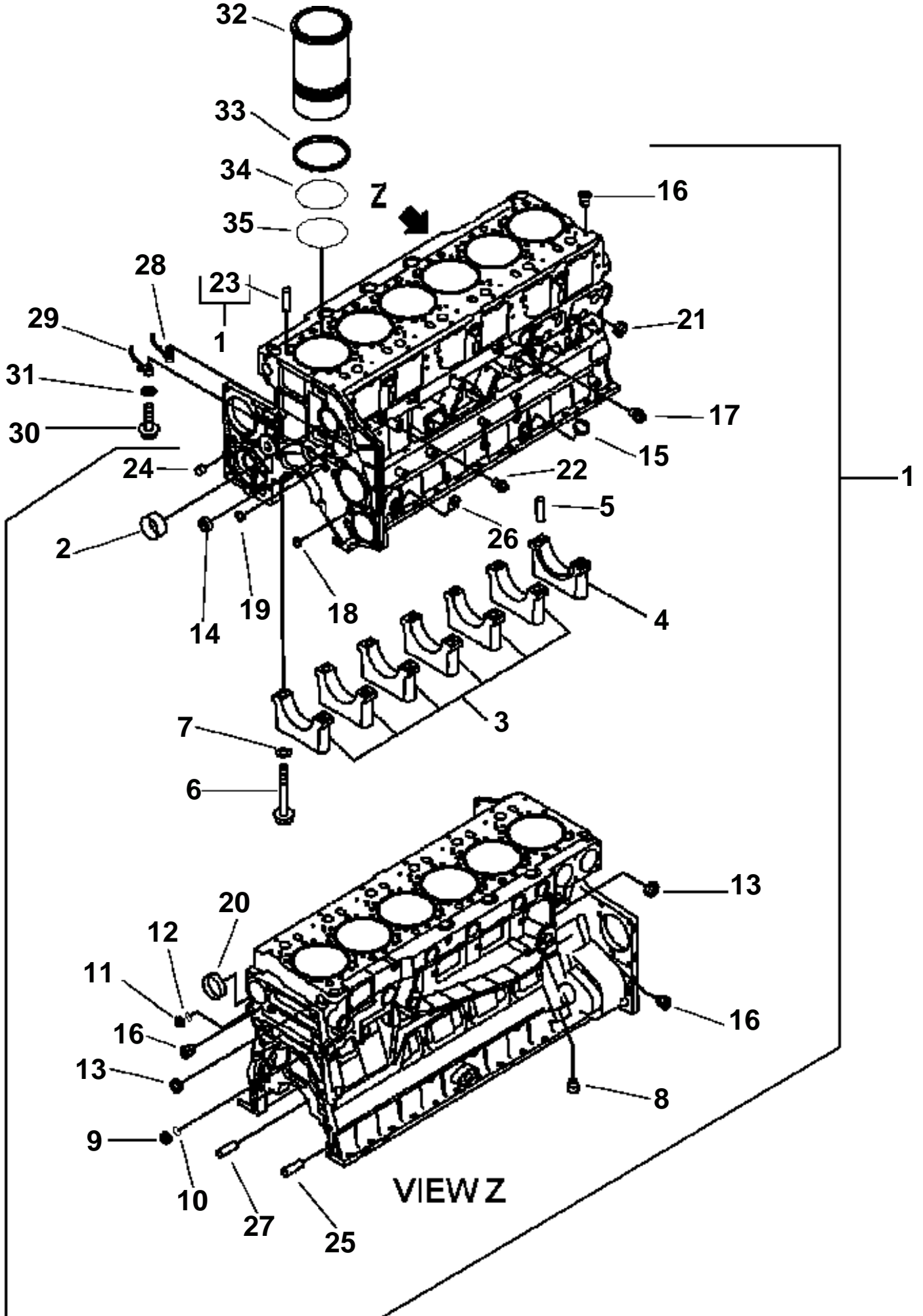


FIG. NO: GJ1K2322

INDEX NO.	PART NO.	DESCRIPTION	Q.TY	SERIAL NO.
1	6217-21-1100	BARREL KIT	1	
2	6210-21-1491	· BUSHING	7	
3	6217-29-1240	· CAP	6	
4	6217-29-1250	· CAP	1	
5	04020-00514	· DOWEL	2	
6	6217-21-1710	· PIN	14	
7	01643-31845	· PLAIN WASHER	14	
8	07043-71019	· PLUG	1	
9	6217-21-1980	· LOCKING UNIT	1	
10	07000-72025	· O-RING	1	
11	6217-21-1990	· LOCKING UNIT	1	
12	07000-72021	· O-RING	1	
13	07046-43516	· PLUG	6	
14	07046-42516	· PLUG	2	
15	07046-42010	· PLUG	1	
16	07043-70108	· PLUG	9	
17	07042-70108	· PLUG	2	
18	07046-11816	· PLUG	3	
19	07046-41810	· PLUG	2	
20	07046-47020	· PLUG	1	
21	07046-44016	· PLUG	5	
22	07043-70211	· PLUG	2	
23	04020-00820	· DOWEL	12	
24	6210-21-1910	· PIN	3	
25	6150-21-4770	· DOWEL	2	
26	6150-21-5910	· INSET	1	
27	6210-21-1390	· PIN	6	
28	6218-21-1910	NOZZLE	6	
29	6218-21-1920	NOZZLE	6	
30	01437-01025	SCREW	12	
31	01643-51032	PLAIN WASHER	12	
32	6218-21-2210	BUSHING	6	
33	6210-21-2270	GASKET	6	
34	6210-21-2240	O-RING	6	
35	6210-21-2230	O-RING	6	

FIG. NO: GJ1K2323 CYLINDER BLOCK AND ATTACHING PARTS

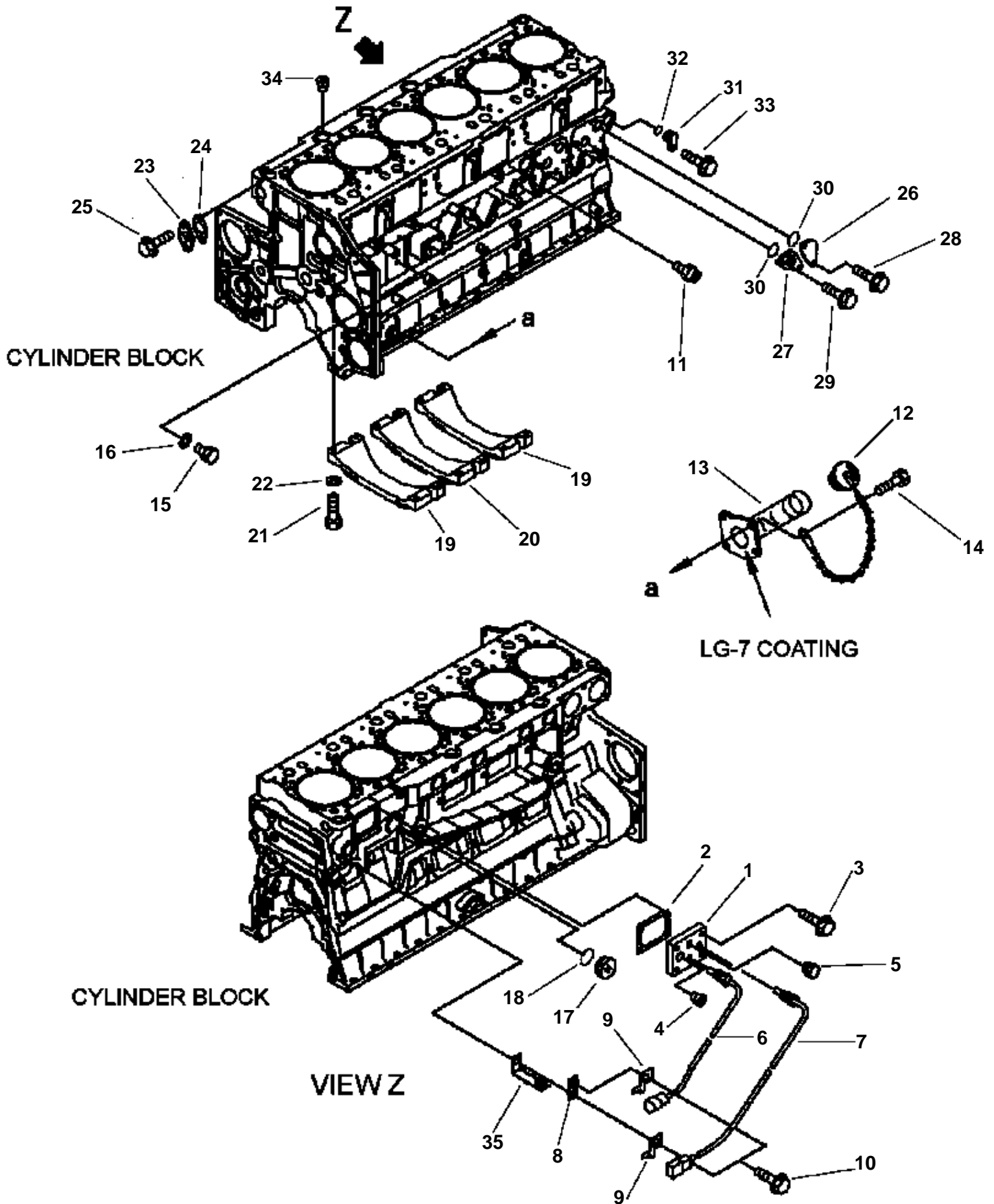




FIG. NO: GJ1K2323

INDEX NO.	PART NO.	DESCRIPTION	Q.TY	SERIAL NO.
1	6210-21-1990	COVER	1	
2	6210-21-1971	GASKET	1	
3	01435-01035	SCREW	4	
4	07043-00415	PLUG	1	
5	287-35-11470	PLUG	1	
6	7861-93-3320	THERMOCOUPLE	1	
7	7861-93-3520	THERMOCOUPLE	1	
8	426-06-11570	BRACKET	1	
9	08193-20010	BRACKET	2	
10	01435-01016	SCREW	2	
11	08073-10505	OIL SWITCH	1	
12	07025-00100	CAP	1	
13	6217-21-7130	FILLER	1	
14	01010-81225	SCREW	4	
15	07040-11007	PLUG	4	
16	07005-01012	SEAL	1	
17	6150-21-1180	SCREW	1	
18	6150-21-1190	O-RING	1	
19	6217-21-1210	BRACKET	2	
20	6217-21-1220	BRACKET	1	
21	01010-81050	SCREW	12	
22	01643-31032	PLAIN WASHER	12	
23	6210-21-1950	FLANGE	1	
24	6696-61-9921	GASKET	1	
25	01435-01225	SCREW	2	
26	6217-21-1880	COVER	1	
27	6217-21-1890	COVER	1	
28	01435-01020	SCREW	2	
29	01435-01025	SCREW	2	
30	07000-73040	O-RING	2	
31	6217-21-1940	COVER	2	
32	07000-73025	O-RING	2	
33	01435-01020	SCREW	2	
34	07043-00617	PLUG	3	
35		NOT USED		

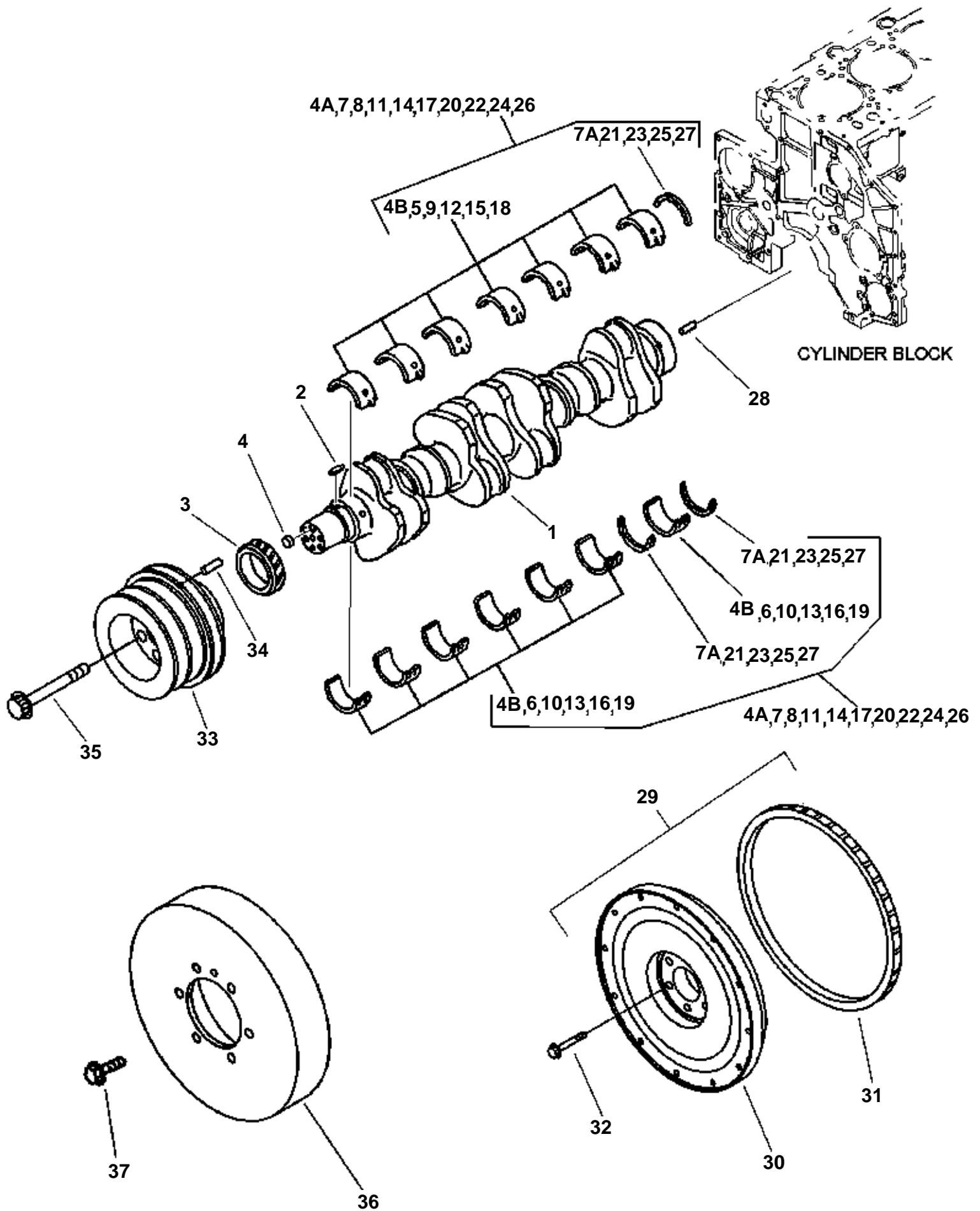
FIG. NO: GJ1K2324 GASKET KIT, CYLINDER BLOC

# CYLINDER BLOCK GASKET SET

FIG. NO: GJ1K2324

INDEX NO.	PART NO.	DESCRIPTION	Q.TY	SERIAL NO.
1	6217-K2-9900	PACKING KIT	1	
2	07000-72025	· O-RING	1	
3	07000-72021	· O-RING	1	
4	6210-21-2270	· GASKET	6	
5	6210-21-2240	· O-RING	6	
6	6210-21-2230	· O-RING	6	
7	6210-21-1971	· GASKET	1	
8	6150-21-1190	· O-RING	1	
9	6696-61-9921	· GASKET	1	
10	07000-73040	· O-RING	2	
11	07000-73025	· O-RING	2	
12	6711-21-3521	· GASKET	1	
13	6217-21-3250	· GASKET	1	
14	07000-03050	· O-RING	1	
15	07005-01212	· SEAL	6	
16	07000-72060	· O-RING	1	
17	6210-21-6860	· O-RING	3	
18	6150-21-6391	· SEAL	9	
19	6210-21-5820	· GASKET	1	
20	07002-23634	· O-RING	1	
21	07000-73040	· O-RING	1	
22	6151-21-4150	· GASKET	1	
23	07000-73038	· O-RING	1	
24	6217-21-3480	· GASKET	1	
25	6217-51-5631	· O-RING	1	
26	6210-61-2520	· O-RING	2	
27	6150-61-2520	· O-RING	4	
28	07000-63042	· O-RING	1	
29	6150-61-2540	· SEAL	1	
30	6210-61-2550	· O-RING	1	
31	6210-61-2811	· GASKET	1	
32	07005-01412	· SEAL	17	
33	ND094086-0210	· O-RING	1	
34	07000-E2015	· O-RING	6	
35	6210-61-6421	· GASKET	1	
36	6162-13-6440	· SEAL	2	
37	6221-81-6810	· GASKET	1	

FIG. NO: GJ1K2325 CRANK ASSEMBLY



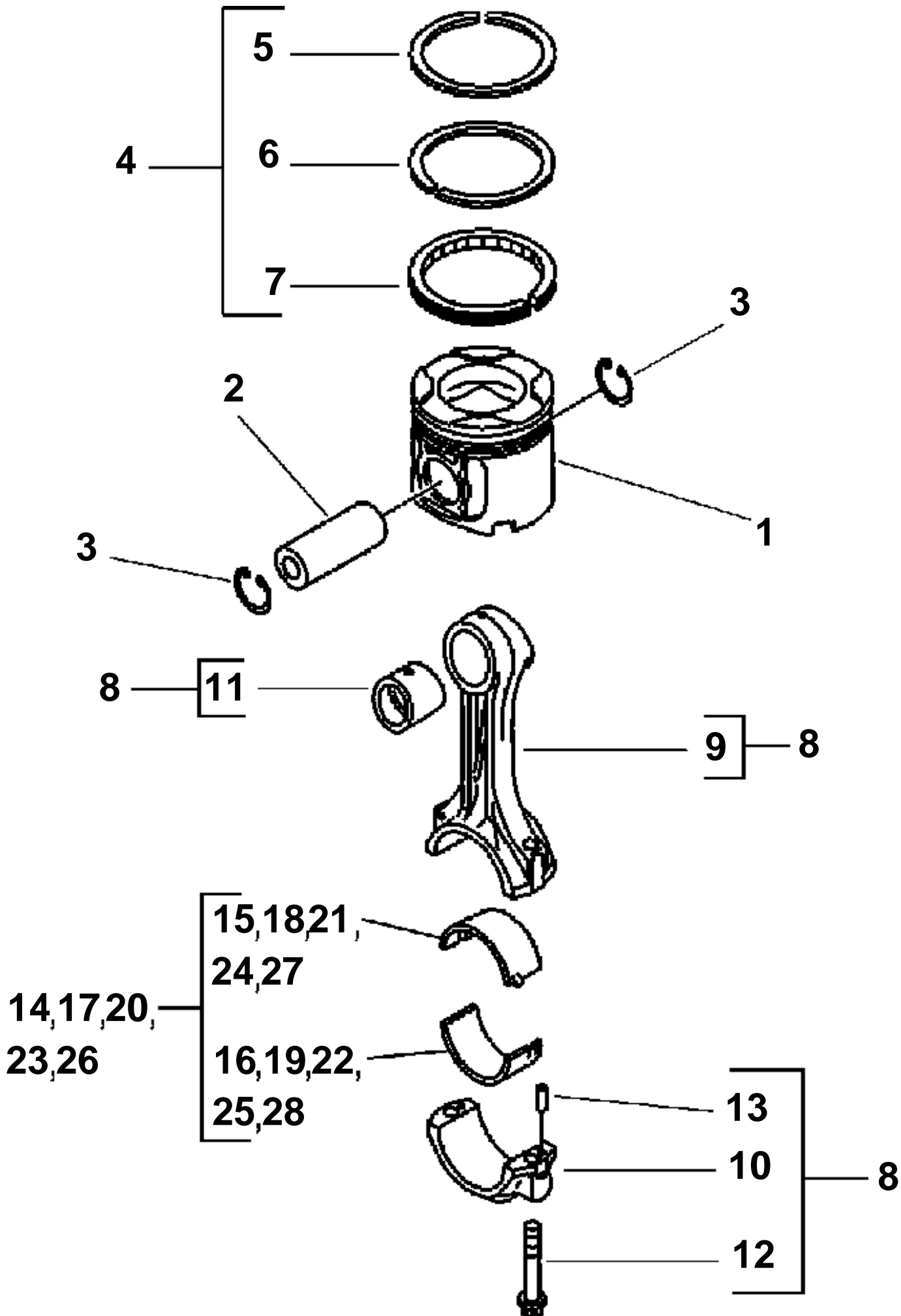
INDEX NO.	PART NO.	DESCRIPTION	Q.TY	SERIAL NO.
1	6217-31-1010	CRANKSHAFT	1	
2	6150-31-1130	· KEY PARALLEL	1	
3	6210-31-1120	· GEAR	1	
4	6211-31-1420	· PEG	1	
4A	6210-21-8000	BEARING	1	
4B	6210-21-8010	· LAPPED BEARING	7	
5		· · BEARING ORDER 6210-21-8010	1	
6		· · BEARING ORDER 6210-21-8010	1	
7	6210-21-8050	· THRUST BEARING	1	
7A		· · BEARING ORDER 6210-21-8050	3	
8	6210-29-8010	BEARING - 0,25 MM	7	
9		· BEARING ORDER 6210-29-8010	1	
10		· BEARING ORDER 6210-29-8010	1	
11	6210-28-8010	BEARING - 0,50 MM	7	
12		· BEARING ORDER 6210-28-8010	1	
13		· BEARING ORDER 6210-28-8010	1	
14	6210-27-8010	BEARING - 0,75 MM	7	
15		· BEARING ORDER 610-27-8010	1	
16		· BEARING ORDER 6210-27-8010	1	
17	6210-26-8010	BEARING - 1,00 MM	7	
18		· BEARING ORDER 6210-26-8010	1	
19		· BEARING ORDER 6210-26-8010	1	
20	6210-29-8050	THRUST BEARING + 0,25 MM	1	
21		· BEARING ORDER 6210-29-8050	3	
22	6210-28-8050	THRUST BEARING + 0,50 MM	1	
23		· BEARING ORDER 6210-28-8050	3	
24	6210-27-8050	THRUST BEARING + 0,75 MM	1	
25		· BEARING ORDER 6210-27-8050	3	
26	6210-26-8050	THRUST BEARING + 1,00 MM	1	
27		· BEARING ORDER 6210-26-8050	3	
28	04020-01228	DOWEL	1	

FIG. NO: GJ1K2325

INDEX NO.	PART NO.	DESCRIPTION	Q.TY	SERIAL NO.
29	6217-31-1700	FLYWHEEL ASS'Y	1	
30		· NOT USED ORDER 6217-31-1700		
31	6150-31-1351	GEAR	1	
32	6210-31-1350	BOLT	6	
33	6217-31-1440	PULLEY	1	
34	04020-01024	PIN	1	
35	6210-81-8720	BOLT	1	
36	6217-31-8100	DAMPER	1	
37	01435-01225	SCREW	1	



FIG. NO: GJ1K2326 CRANK ASSEMBLY



INDEX NO.	PART NO.	DESCRIPTION	Q.TY	SERIAL NO.
1	6217-31-2130	PISTON	6	
2	6211-31-2410	PIN	6	
3	04065-05220	SNAP RING	12	
4	6217-31-2030	PISTON RING	6	
5		· RING ORDER 6217-31-2030	1	
6		· RING ORDER 6217-31-2030	1	
7		· RING ORDER 6217-31-2030	1	
8	6211-31-3100	CYLINDER ROD	6	
9		· CONROD ORDER 6211-31-3100	1	
10		· CONROD ORDER 6211-31-3100	1	
11	6211-31-3130	· BUSHING	1	
12	6210-31-3310	· BOLT	2	
13	02400-10413	· DOWEL	2	
14	6210-32-3040	BEARING	6	
15		· BEARING ORDER 6210-32-3040	1	
16		· BEARING ORDER 6210-32-3040	1	
17	6210-39-3040	BEARING ASS'Y - 0,25 MM	6	
18		· BEARING ORDER 6210-39-3040	1	
19		· BEARING ORDER 6210-39-3040	1	
20	6210-38-3040	BEARING ASS'Y - 0,50 MM	6	
21		· BEARING ORDER 6210-38-3040	1	
22		· BEARING ORDER 6210-38-3040	1	
23	6210-37-3040	BEARING ASS'Y - 0,70 MM	6	
24		· BEARING ORDER 6210-37-3040	1	
25		· BEARING ORDER 6210-37-3040	1	
26	6210-36-3040	BEARING ASS'Y - 1,00 MM	6	
27		· BEARING ORDER 6210-36-3040	1	
28		· BEARING ORDER 6210-36-3040	1	

FIG. NO: GJ1K2327 CYLINDER HEAD AND ATTACHING PARTS

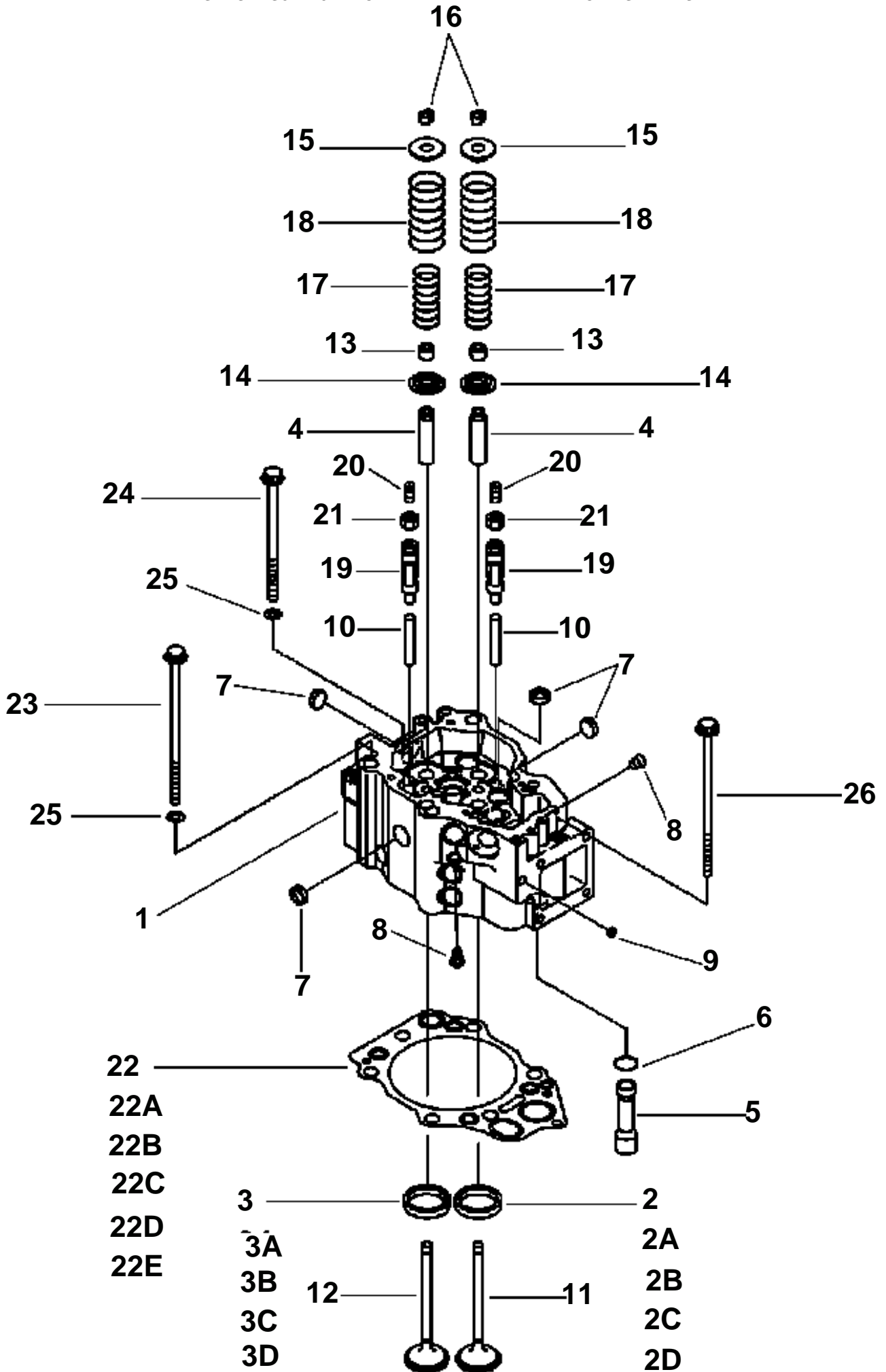


FIG. NO: GJ1K2327

INDEX NO.	PART NO.	DESCRIPTION	Q.TY	SERIAL NO.
1	6217-11-1101	CYLINDER HEAD	6	
2	6210-11-1330	· VALVE CORE	2	
2A	6210-19-1330	· VALVE CORE	2	
2B	6210-18-1330	· VALVE CORE	2	
2C	6210-17-1330	· VALVE CORE	2	
2D	6210-16-1330	· VALVE CORE	2	
3	6217-11-1321	· VALVE CORE	2	
3A	6217-19-1321	· VALVE CORE	2	
3B	6217-18-1321	· VALVE CORE	2	
3C	6217-17-1321	· VALVE CORE	2	
3D	6217-16-1321	· VALVE CORE	2	
4	6217-16-1440	· VALVE GUIDE	4	
5	6210-11-1150	· TUBE	1	
6	07000-73025	· O-RING	1	
7	6162-13-1150	· COVER	13	
8	07043-50108	· PLUG	2	
9	07046-41008	· COVER	1	
10	6210-11-1140	PILOT	12	
11	6217-41-4110	VALVE	12	
12	6215-41-4212	VALVE	12	
13	6217-41-4540	SEAL	24	
14	6217-41-4531	VALVE SEAT	24	
15	6210-41-4510	VALVE SEAT	24	
16	6136-41-4520	COTTER	48	
17	6210-41-4440	SPRING	24	
18	6210-41-4430	SPRING	24	
19	6210-41-5620	CROSSHEAD	12	
20	6210-41-5641	SCREW	12	
21	6162-43-5630	NUT	12	
22	6217-11-1810	HEAD GASKET	6	
22A	6210-11-1820	· GROMMET	1	
22B	6210-11-1830	· GROMMET	1	
22C	6210-11-1840	· GROMMET	1	
22D	6210-11-1962	· GROMMET	1	
22E	6210-11-1952	· GROMMET	4	
23	6217-11-1610	SCREW	18	
24	6217-11-1620	SCREW	18	
25	01643-51645	PLAIN WASHER	36	
26	01438-01020	SCREW	6	

FIG. NO: GJ1K2328 GASKET KIT, CYLINDER HEAD

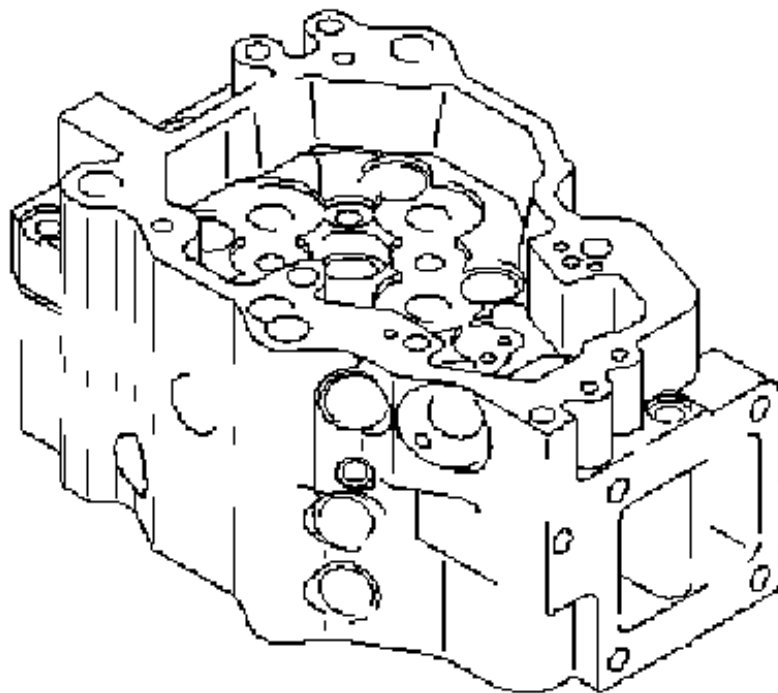
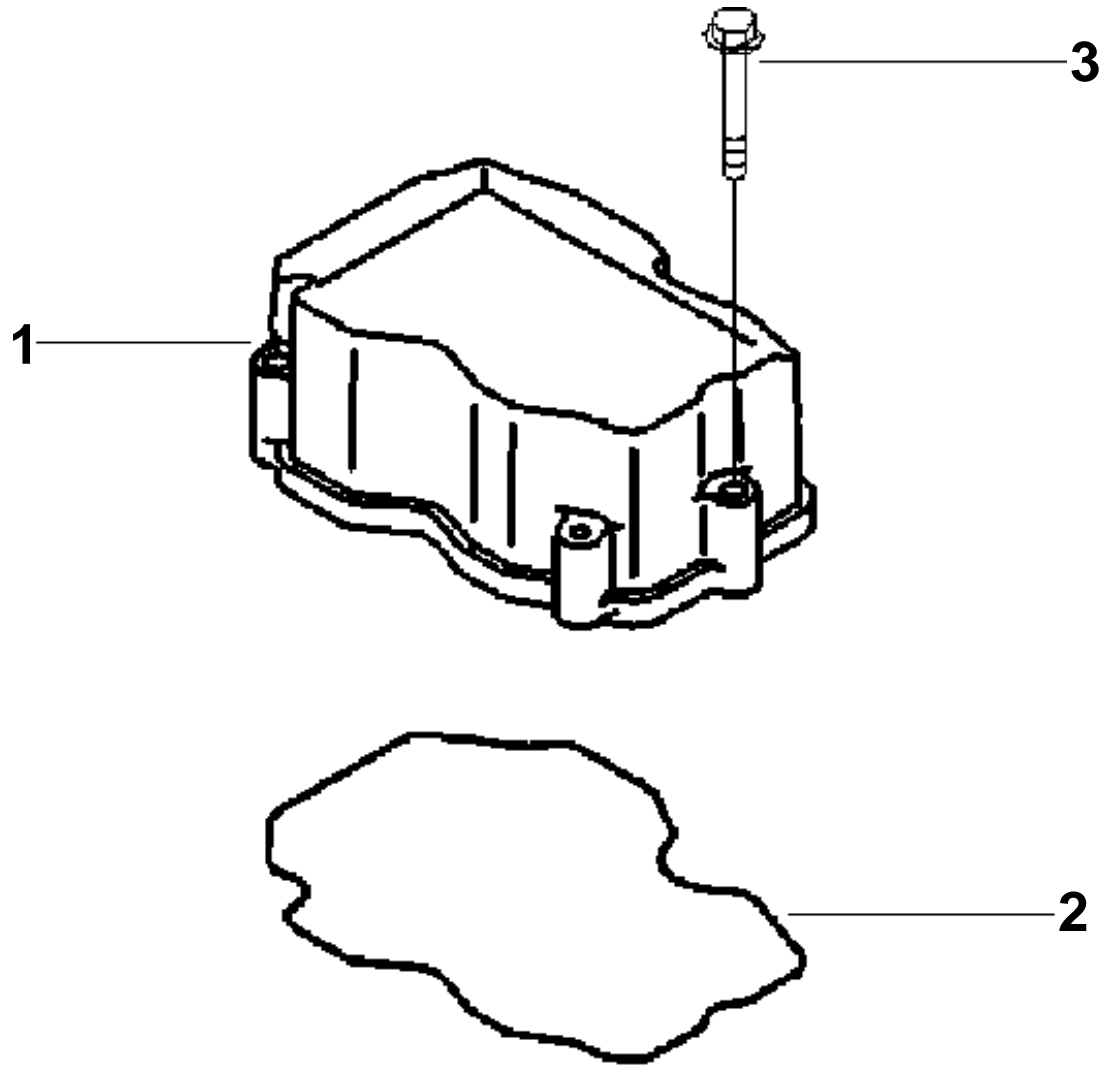
# CYLINDER HEAD GASKET SET

FIG. NO: GJ1K2328

INDEX NO.	PART NO.	DESCRIPTION	Q.TY	SERIAL NO.
1	6217-K1-9900	PACKING KIT	1	
2	07000-73025	· O-RING	6	
3	6217-41-4540	· SEAL	24	
4	6217-11-1810	· HEAD GASKET	6	
5	6217-11-1820	· GASKET	6	
6	6210-11-4811	· GASKET	12	
7	6217-11-4820	· GASKET	2	
8	6217-11-4710	· O-RING	1	
9	02895-77075	· O-RING	2	
10	6217-11-4330	· GASKET	1	
11	07005-01012	· SEAL	15	
12	6215-61-6630	· O-RING	2	
13	6212-61-6431	· O-RING	4	
14	6217-61-6640	· GASKET	4	
15	6218-11-5880	· GASKET	6	
16	6218-11-5830	· GASKET	1	
17	07005-01412	· SEAL	2	
18	6151-51-8161	· GASKET	1	
19	6151-51-8151	· GASKET	1	
20	6127-51-6822	· GASKET	1	
21	6217-71-6110	· GASKET	6	
22	07000-E2020	· O-RING	12	
23	07000-E2011	· O-RING	6	
24	07000-E2018	· O-RING	6	
25	07003-01015	· GASKET	13	
26	6210-61-6441	· GASKET	1	



FIG. NO: GJ1K2329 CYLINDER HEAD COVER, ATTACHING PARTS



**Cylinder Head**

FIG. NO: GJ1K2329

INDEX NO.	PART NO.	DESCRIPTION	Q.TY	SERIAL NO.
1	6217-11-8110	COVER	6	
2	6217-11-8820	GASKET	6	
3	01435-00855	SCREW	18	

FIG. NO: GJ1K2330 TIMING GEAR CASE AND FLYWHEEL HOUSING

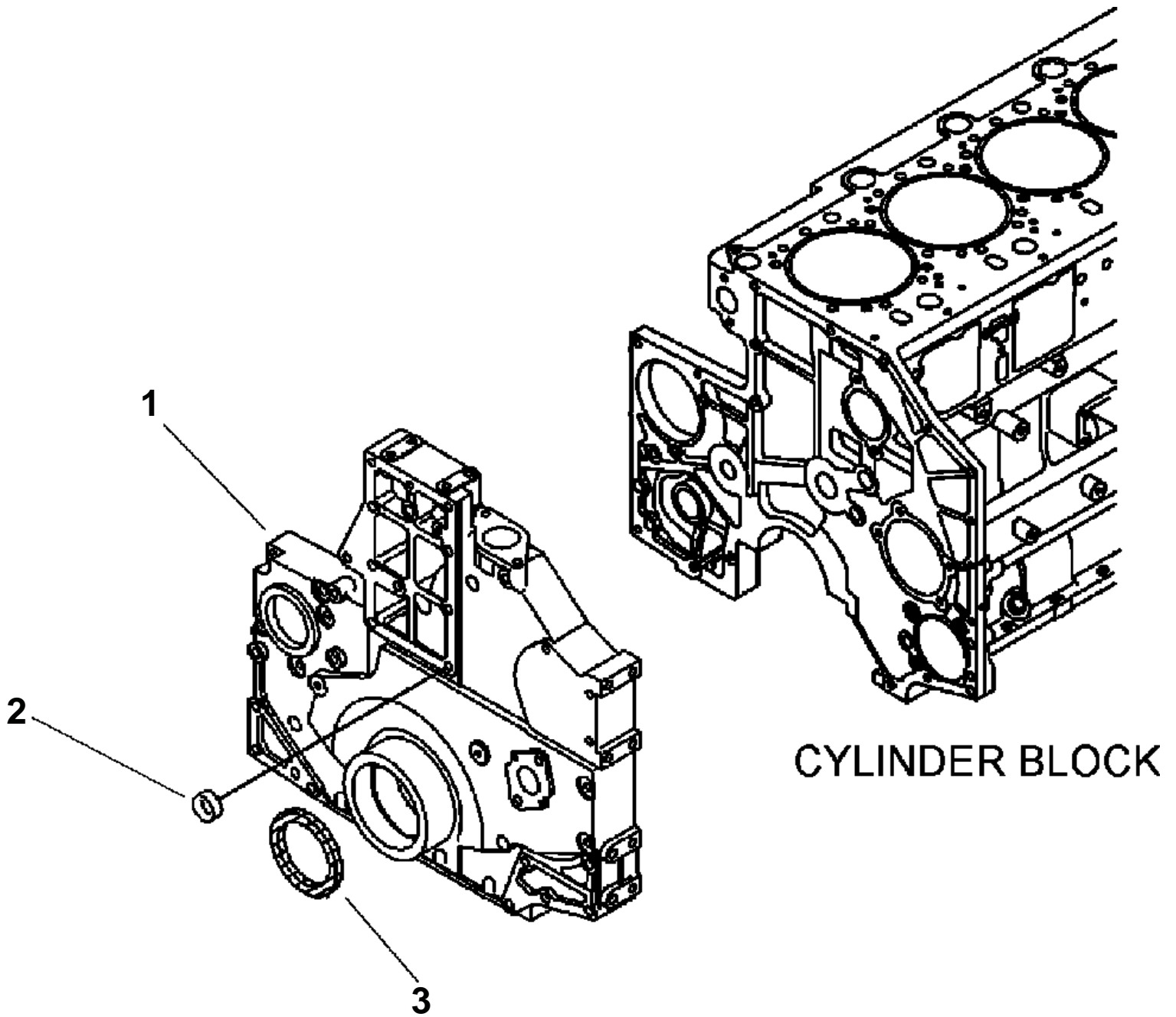


FIG. NO: GJ1K2330

INDEX NO.	PART NO.	DESCRIPTION	Q.TY	SERIAL NO.
1	6217-21-3221	COVER	1	
2	07046-11816	PLUG	3	
3	6711-21-3521	GASKET	1	

FIG. NO: GJ1K2331 TIMING GEAR CASE AND FLYWHEEL HOUSING

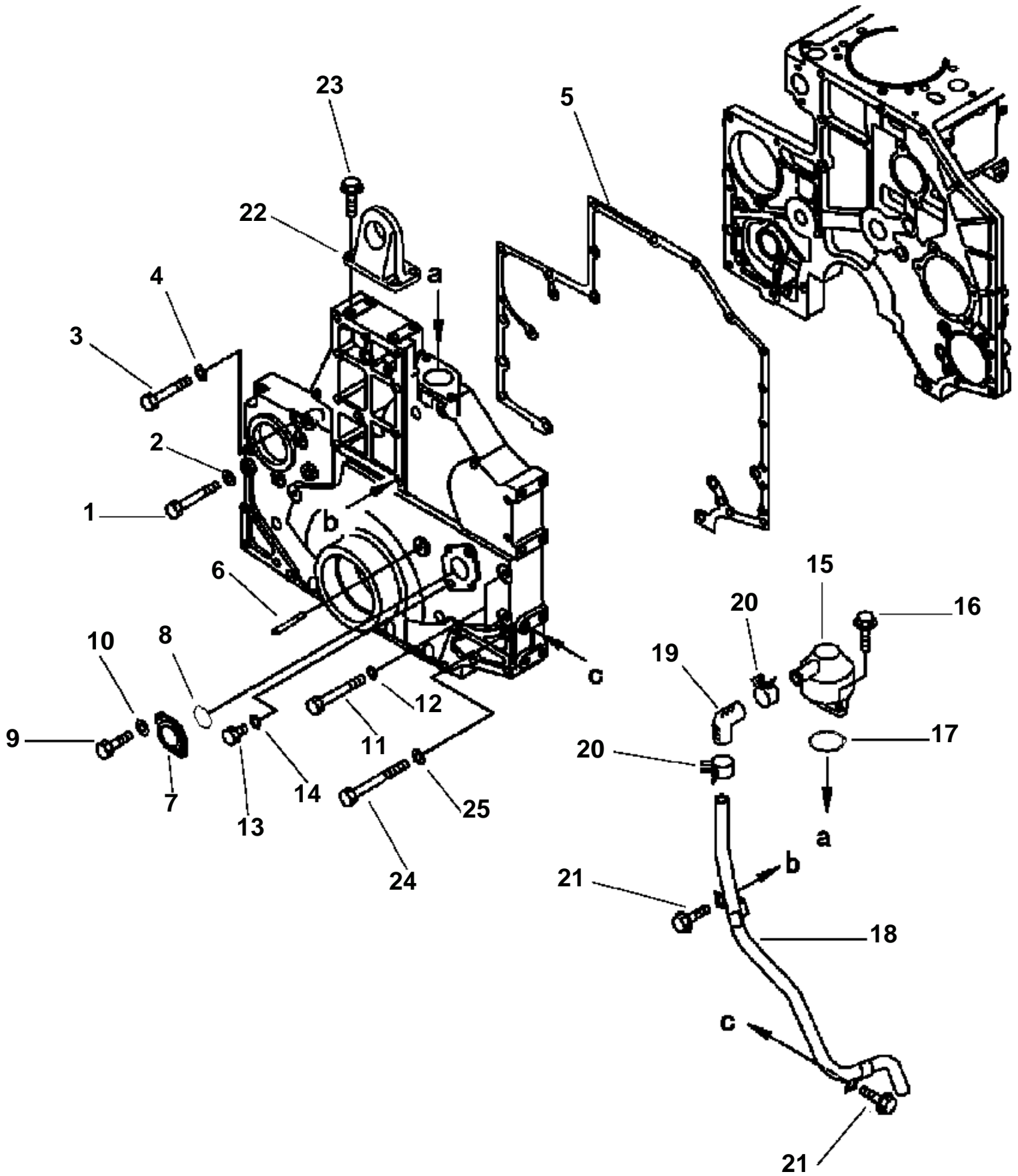


FIG. NO: GJ1K2331

INDEX NO.	PART NO.	DESCRIPTION	Q.TY	SERIAL NO.
1	01010-81290	SCREW	2	
2	01640-21223	PLAIN WASHER	2	
3	01010-81280	BOLT	1	
4	01640-21223	PLAIN WASHER	1	
5	6217-21-3250	GASKET	1	
6	6210-22-3910	POINTER	1	
7	6144-81-5151	COVER	1	
8	07000-03050	O-RING	1	
9	01010-80616	SCREW	2	
10	01640-20610	PLAIN WASHER	2	
11	01010-81090	SCREW	2	
12	01640-21016	PLAIN WASHER	2	
13	07040-11209	PLUG	2	
14	07005-01212	SEAL	2	
15	6217-21-8760	FAN	1	
16	01435-01025	SCREW	2	
17	07000-72060	O-RING	1	
18	6217-21-8751	TUBE	1	
19	6130-61-6611	HOSE	1	
20	07285-00265	CLAMP	2	
21	01435-01220	SCREW	2	
22	6210-21-3751	BRACKET	1	
23	01435-01025	SCREW	4	
24	6210-21-3190	BOLT	1	
25	01640-21223	PLAIN WASHER	1	

FIG. NO: GJ1K2332 TIMING GEAR CASE AND FLYWHEEL HOUSING

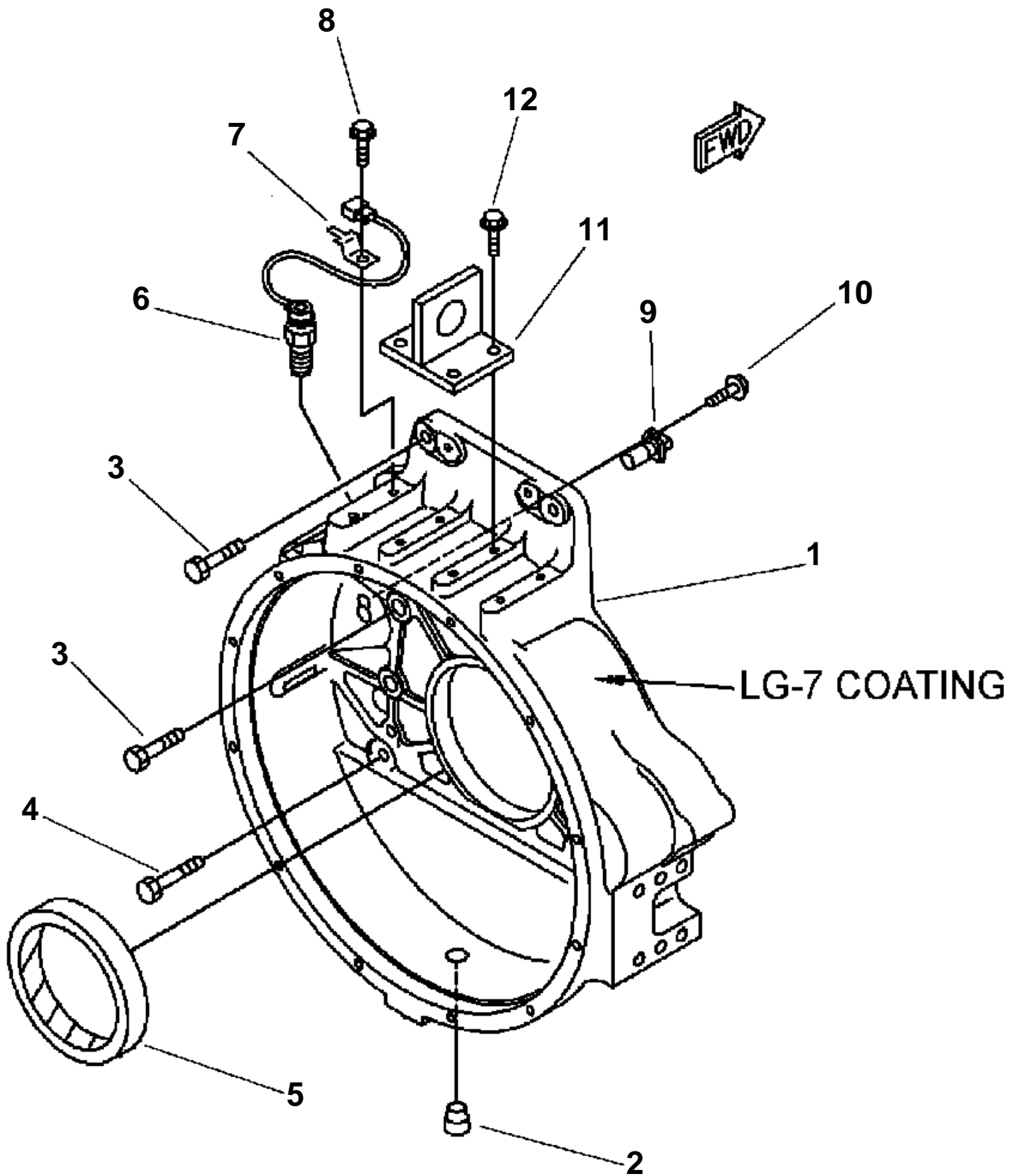


FIG. NO: GJ1K2332

INDEX NO.	PART NO.	DESCRIPTION	Q.TY	SERIAL NO.
1	6217-21-4711	FLYWHEEL HOUSING	1	
2	07043-00617	PLUG	1	
3	01010-61645	SCREW	8	
4	01010-61660	SCREW	2	
5	6151-21-4150	GASKET	1	
6	7861-93-2330	SENSOR	1	
7	08193-20010	BRACKET	1	
8	01435-01016	SCREW	1	
9	6217-81-9210	SENSOR	1	
10	01435-00610	SCREW	1	
11	6210-21-4770	HANGER	1	
12	01435-01025	SCREW	4	



FIG. NO: GJ1K2333 ENGINE TIMING GEAR

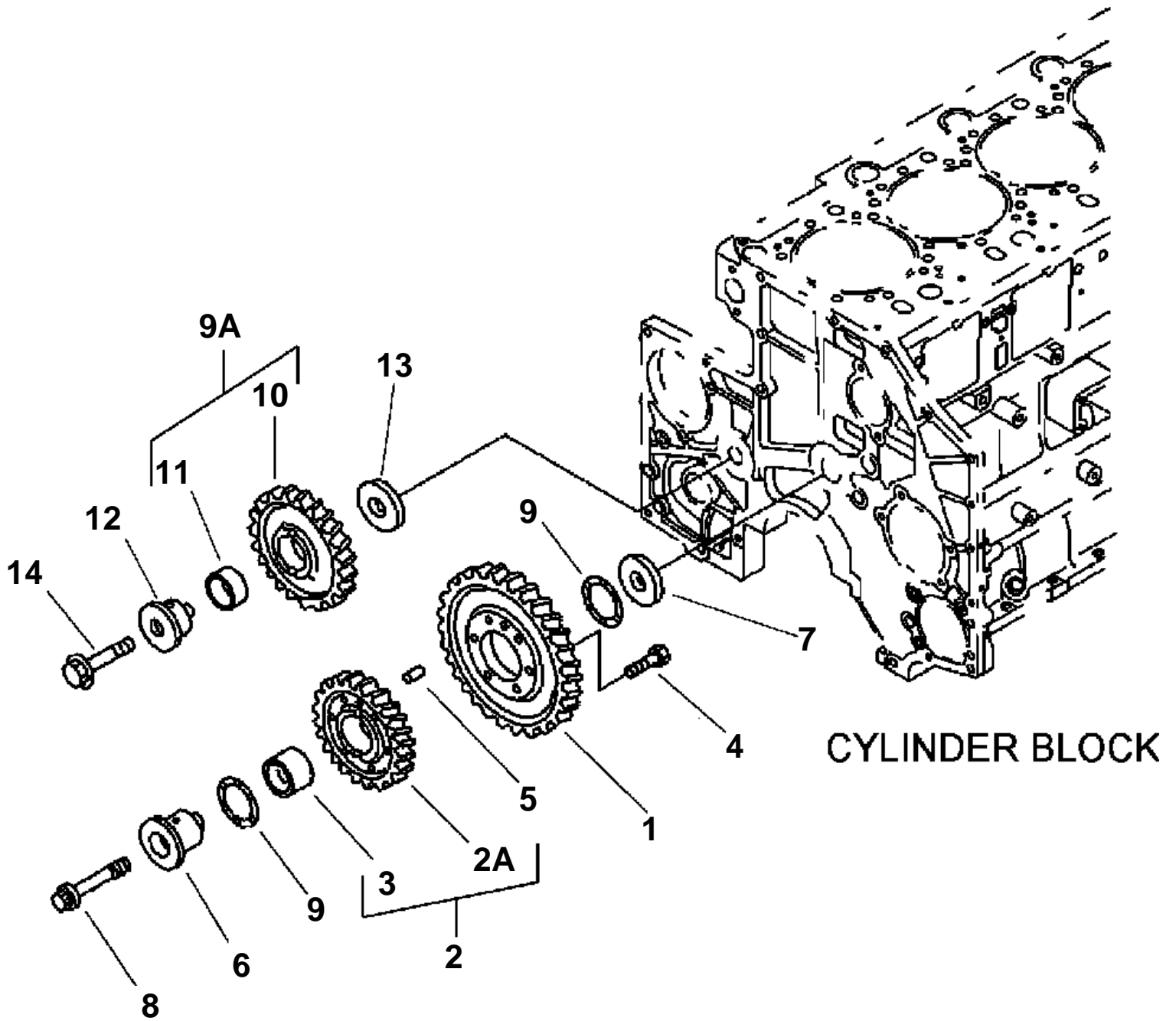


FIG. NO: GJ1K2333

INDEX NO.	PART NO.	DESCRIPTION	Q.TY	SERIAL NO.
1	6217-31-6310	GEAR	1	
2	6217-31-6200	GEAR	1	
2A		· GEAR ORDER 6217-31-6200	1	
3	6212-31-6130	· BUSHING	1	
4	01010-80830	SCREW	6	
5	6127-21-1260	DOWEL	1	
6	6210-22-2410	SHAFT	1	
7	6210-22-2420	PLATE	1	
8	6162-33-5322	BOLT	1	
9	6212-31-6140	BEARING	2	
9A	6212-31-6100	IDLER GEAR	1	
10		· GEAR ORDER 6212-31-6100	1	
11	6212-31-6120	· BUSHING	1	
12	6212-21-2511	SHAFT	1	
13	6210-21-2422	PLATE	1	
14	6212-21-2450	BOLT	1	

FIG. NO: GJ1K2334 ENGINE TIMING GEAR

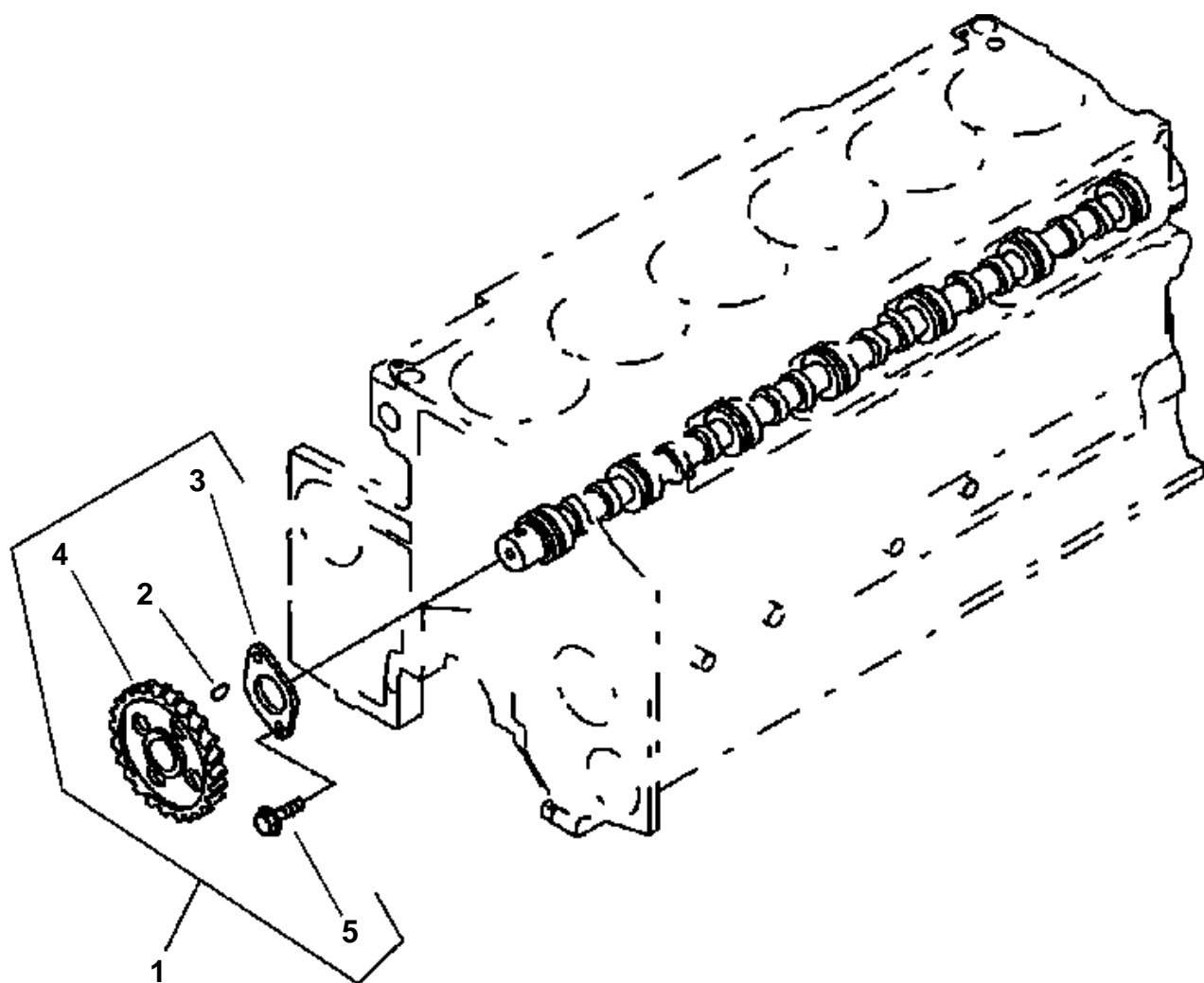


FIG. NO: GJ1K2334

INDEX NO.	PART NO.	DESCRIPTION	Q.TY	SERIAL NO.
1	6210-41-1012	CAMSHAFT	1	
2	04010-00725	WOODRUFF KEY	1	
3	6210-41-1131	PLATE	1	
4	6210-41-1120	GEAR	1	
5	01437-01220	BOLT	2	

FIG. NO: GJ1K2335 ENGINE TIMING GEAR

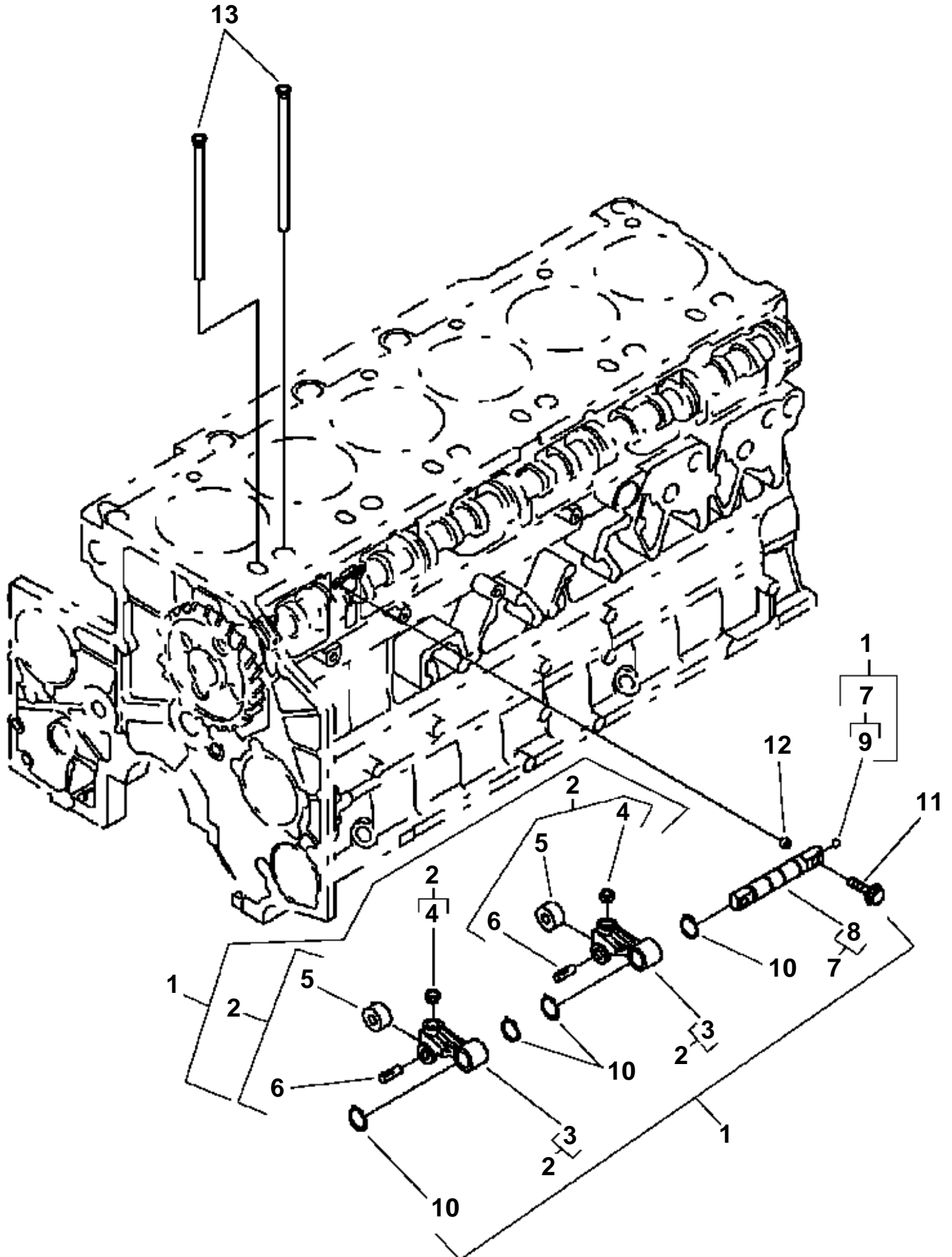
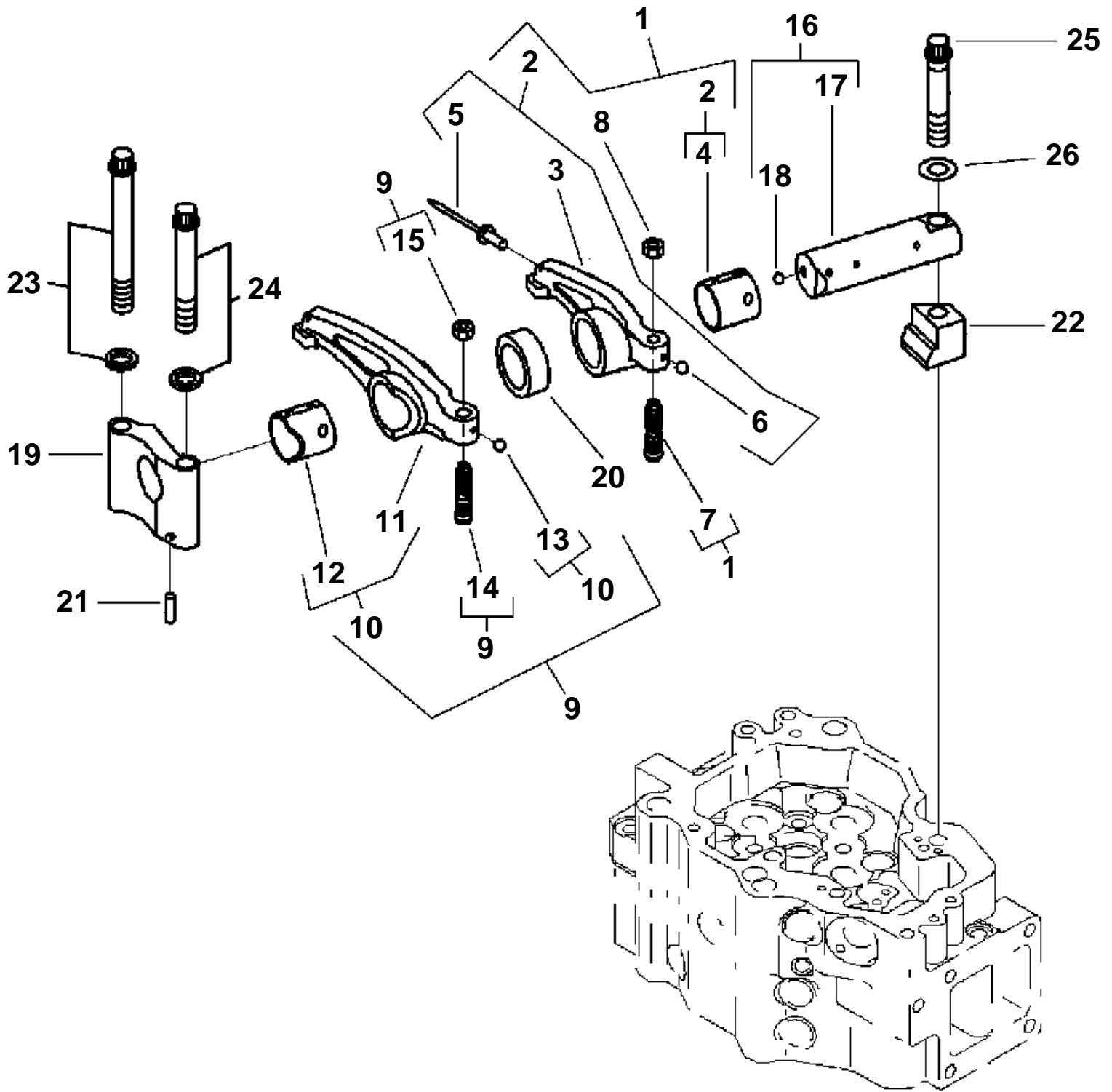


FIG. NO: GJ1K2335

INDEX NO.	PART NO.	DESCRIPTION	Q.TY	SERIAL NO.
1	6210-41-2010	CAM FOLLOWER	6	
2	6210-41-2300	· LEVER	2	
3		NOT USED ORDER 6210-41-2300		
4		NOT USED ORDER 6210-41-2300		
5		NOT USED ORDER 6210-41-2300		
6		NOT USED ORDER 6210-41-2300		
7	6210-41-2400	· SHAFT	1	
8		NOT USED ORDER 6210-41-2400		
9	6150-81-8420	· · BALL	1	
10	04064-02212	· SNAP RING	4	
11	6210-41-2450	BOLT	12	
12	6150-41-2430	DOWEL	12	
13	6210-41-3120	DRAGLINK	12	

FIG. NO: GJ1K2336 ENGINE TIMING GEAR



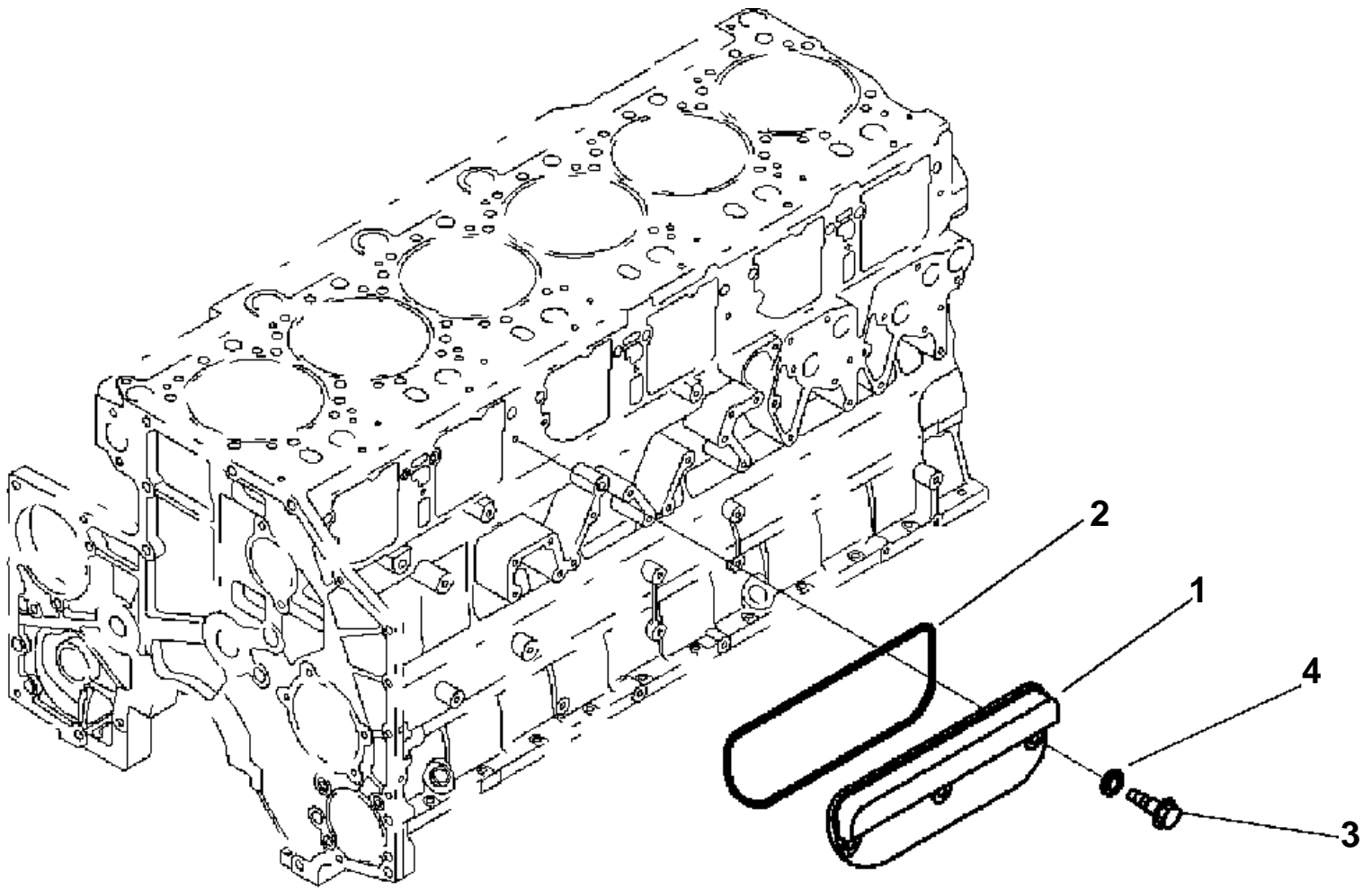
CYLINDER HEAD

FIG. NO: GJ1K2336

INDEX NO.	PART NO.	DESCRIPTION	Q.TY	SERIAL NO.
1	6217-41-5040	ROCKER ARM	6	
2	6217-41-5400	· ROCKER ARM	1	
3		· · NOT USED ORDER 6217-41-5400		
4	6217-41-5420	· · BUSHING	1	
5	6162-43-5340	· · PLUG	1	
6	04260-00317	· · BALL	1	
7	6217-41-5550	· SCREW	1	
8	01582-01008	· NUT	1	
9	6217-41-5050	ROCKER ARM	6	
10	6217-41-5500	· ROCKER ARM	1	
11		· · NOT USED ORDER 6217-41-5500		
12	6217-41-5520	· · BUSHING	1	
13	04260-00317	· · BALL	1	
14	6217-41-5550	· SCREW	1	
15	01582-01008	· NUT	1	
16	6217-41-5300	ROCKER SHAFT AXLE	6	
17		· NOT USED ORDER 6217-41-5300		
18	04260-00635	· BALL	1	
19	6217-41-5530	BRACKET	6	
20	6210-41-5440	COLLAR	6	
21	04020-00514	DOWEL	18	
22	6217-41-5540	SPACER	6	
23	6217-41-5570	SCREW	6	
24	6217-41-5560	SCREW	6	
25	6217-81-8311	SCREW	6	
26	01643-51232	PLAIN WASHER	6	



FIG. NO: GJ1K2337 ENGINE TIMING GEAR



CYLINDER BLOCK

FIG. NO: GJ1K2337

INDEX NO.	PART NO.	DESCRIPTION	Q.TY	SERIAL NO.
1	6210-21-6410	COVER	3	
2	6210-21-6860	O-RING	3	
3	6210-21-6471	SCREW	9	
4	6150-21-6391	SEAL	9	

FIG. NO: GJ1K2338 ENGINE LUBRICATION

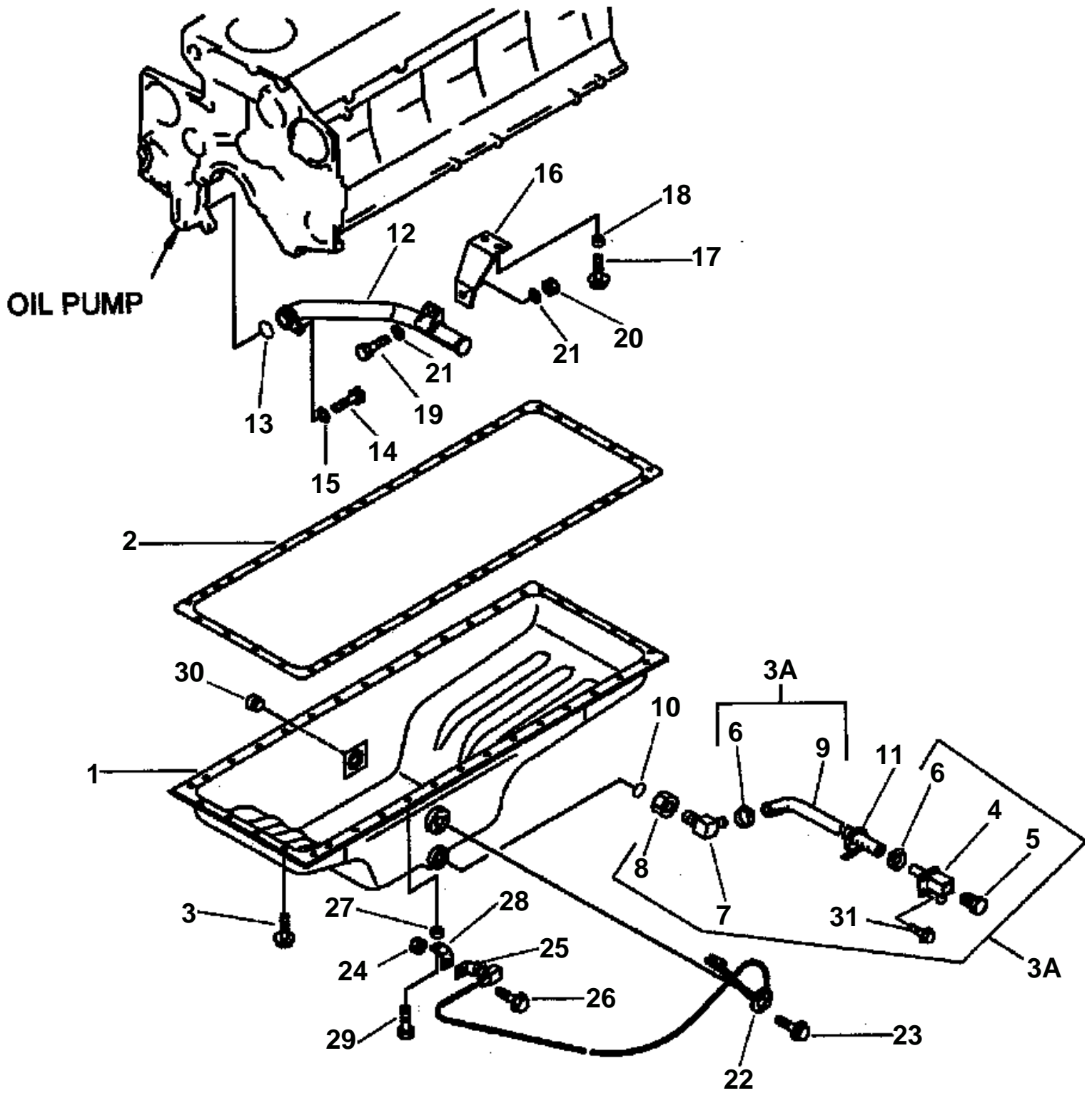


FIG. NO: GJ1K2338

INDEX NO.	PART NO.	DESCRIPTION	Q.TY	SERIAL NO.
1	6211-21-5240	SUMP	1	
2	6210-21-5820	GASKET	1	
3	01435-01025	SCREW	37	
3A	6211-51-6200	HOSE ASSEMBLY	1	
4	425-01-12121	· TUBE	1	
5	425-01-11110	· PLUG	1	
6	07281-00359	· CLIP	2	
7	421-01-11180	· ELBOW NIPPLE	1	
8	01583-13621	· BOXNUT	1	
9	425-01-12130	· HOSE	1	
10	07002-23634	O-RING	1	
11	08034-00519	BAND	1	
12	6217-51-6310	STRAINER	1	
13	07000-73040	O-RING	1	
14	01010-81025	SCREW	1	
15	01643-31032	PLAIN WASHER	1	
16	6217-51-6320	BRACKET	1	
17	01435-01035	SCREW	2	
18	6131-12-5920	SPACER	2	
19	01010-81030	SCREW	1	
20	01580-01008	NUT	1	
21	01643-31032	PLAIN WASHER	2	
22	7861-93-4210	SENSOR	1	
23	01435-00612	SCREW	3	
24	01580-01008	NUT	1	
25	08193-20010	BRACKET	1	
26	01435-01016	SCREW	1	
27	419-15-17540	SPACER	1	
28	6212-75-5530	STAY	1	
29	01010-81040	SCREW	1	
30	02720-41616	SCREW	1	
31	01435-01025	SCREW	2	

FIG. NO: GJ1K2339 ENGINE LUBRICATION

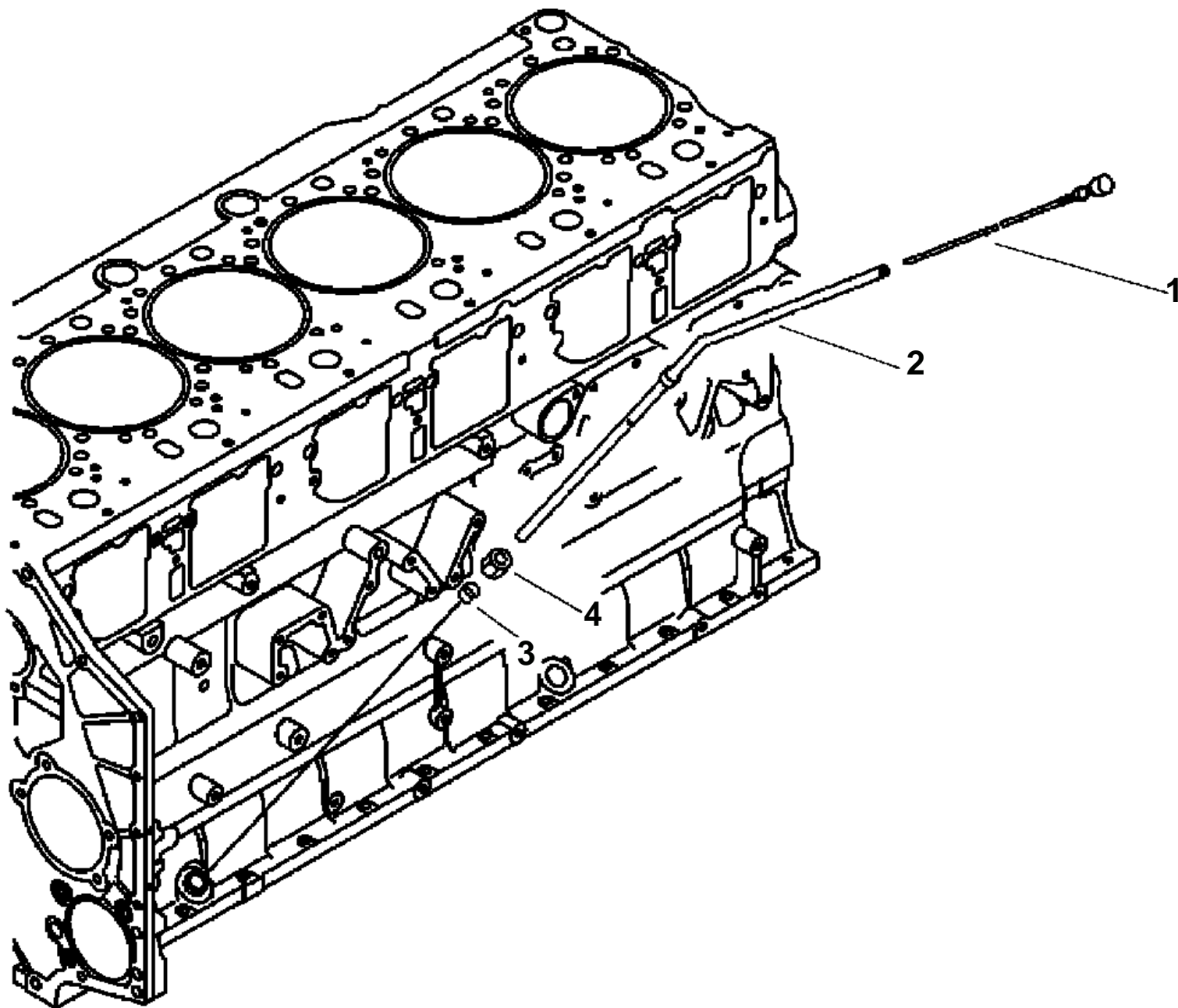


FIG. NO: GJ1K2339

INDEX NO.	PART NO.	DESCRIPTION	Q.TY	SERIAL NO.
1	6210-21-5310	OIL LEVEL GAUGE	1	
2	6217-21-5410	PILOT	1	
3	6150-21-5920	BOXNUT	1	
4	6150-21-5930	OLIVE	1	

FIG. NO: GJ1K2340 ENGINE LUBRICATION

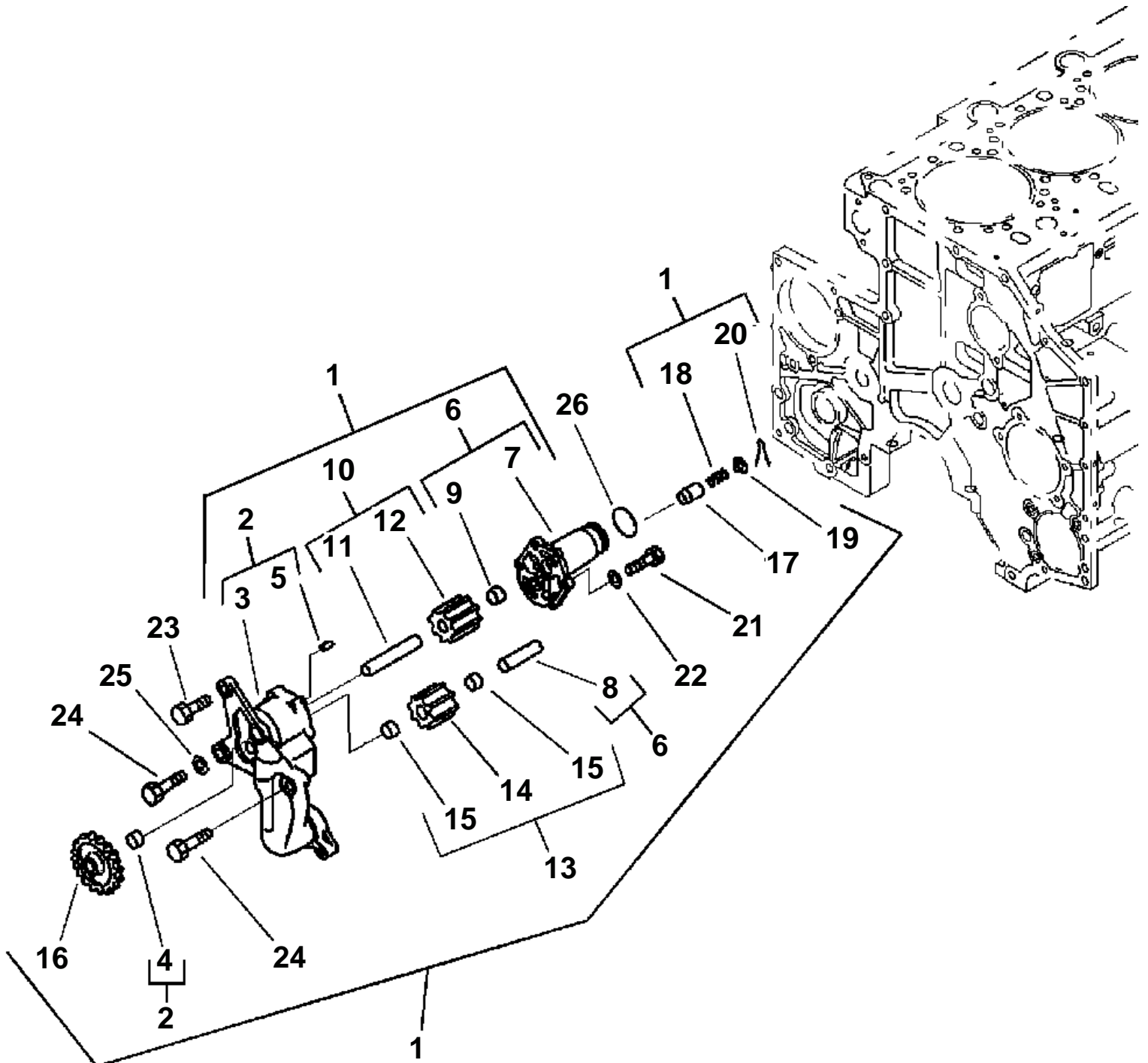


FIG. NO: GJ1K2340

INDEX NO.	PART NO.	DESCRIPTION	Q.TY	SERIAL NO.
1	6218-51-2000	OIL PUMP ASS'Y	1	
2	6218-51-1200	· HOUSING	1	
3		· · NOT USED ORDER 6218-51-1200		
4	6151-51-1420	· · BUSHING	1	
5	6136-52-1620	· · DOWEL	1	
6	6218-51-1100	· COVER	1	
7	6217-51-1110	· · COVER	1	
8	6212-51-1320	· · SHAFT	1	
9	6151-51-1420	· · BUSHING	1	
10	6212-51-1300	· SHAFT	1	
11	6212-51-1310	· · SHAFT	1	
12	6212-51-1350	· · GEAR	1	
13	6212-51-1250	· GEAR	1	
14	6212-51-1260	· · GEAR	1	
15	6151-51-1421	· · BEARING	2	
16	6217-51-1510	· GEAR	1	
17	6212-52-1640	· VALVE	1	
18	6212-52-1650	· SPRING	1	
19	6150-51-1652	· RETAINER	1	
20	04050-14035	· COTTER	1	
21	01010-80825	· SCREW	4	
22	01643-50823	· DISC	4	
23	01010-81230	SCREW	1	
24	01010-81240	SCREW	2	
25	01643-31232	PLAIN WASHER	1	
26	07000-73038	O-RING	1	



FIG. NO: GJ1K2341 OIL FILTER

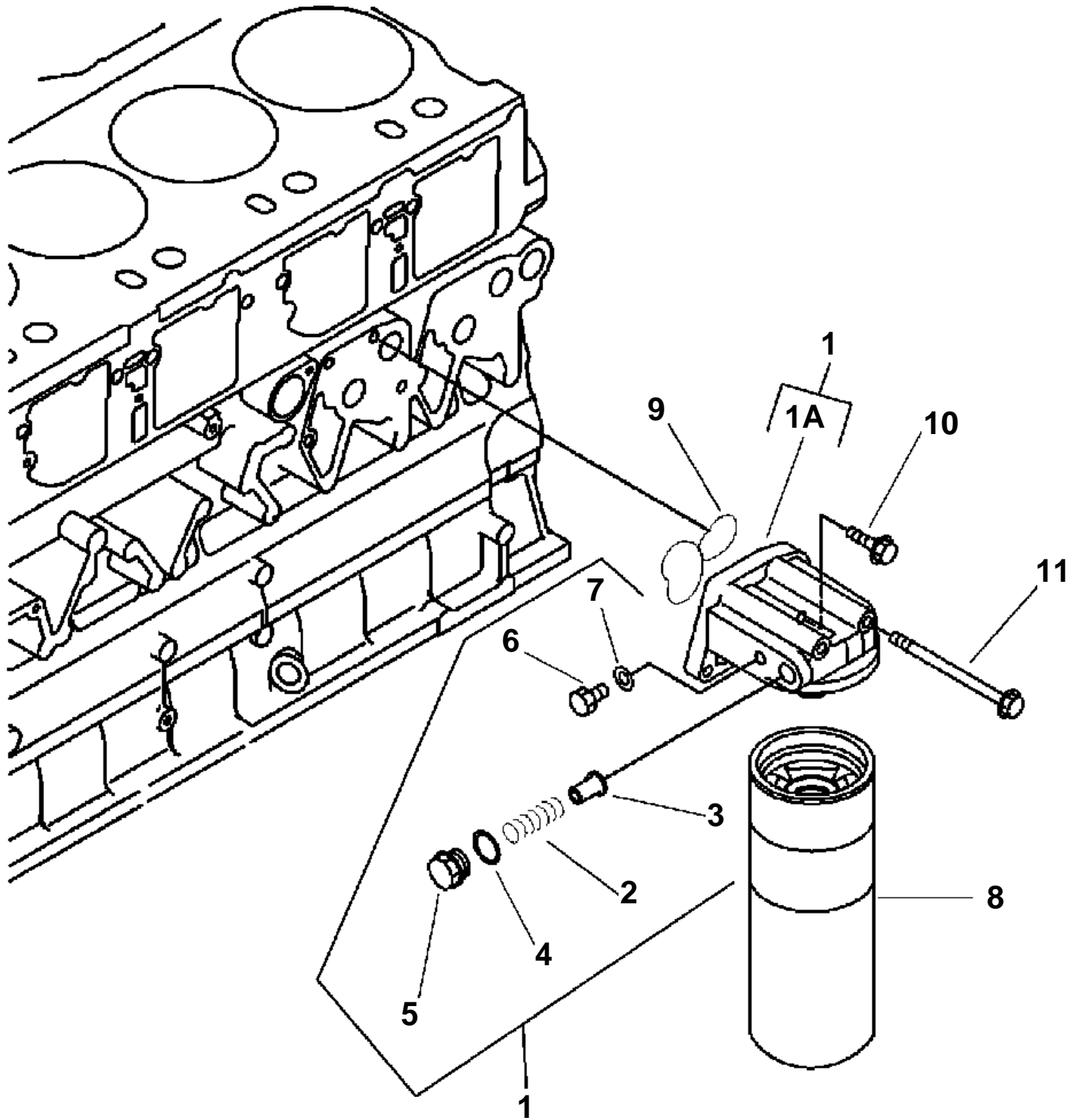


FIG. NO: GJ1K2341

INDEX NO.	PART NO.	DESCRIPTION	Q.TY	SERIAL NO.
1	6217-51-5601	FILTER HEAD	1	
1A	6217-51-5621	· FILTER HEAD	1	
2	600-211-1870	· SPRING	1	
3	6162-55-5220	· BREATHER	1	
4	6162-53-5430	· SEAL	1	
5	6162-53-5420	· CAP	1	
6	07040-11409	· PLUG	1	
7	07005-01412	· SEAL	1	
8	600-211-1340	ELEMENT	1	
9	6217-51-5631	O-RING	1	
10	01435-01035	SCREW	2	
11	01436-01060	BOLT	2	

FIG. NO: GJ1K2342 WATER PUMP

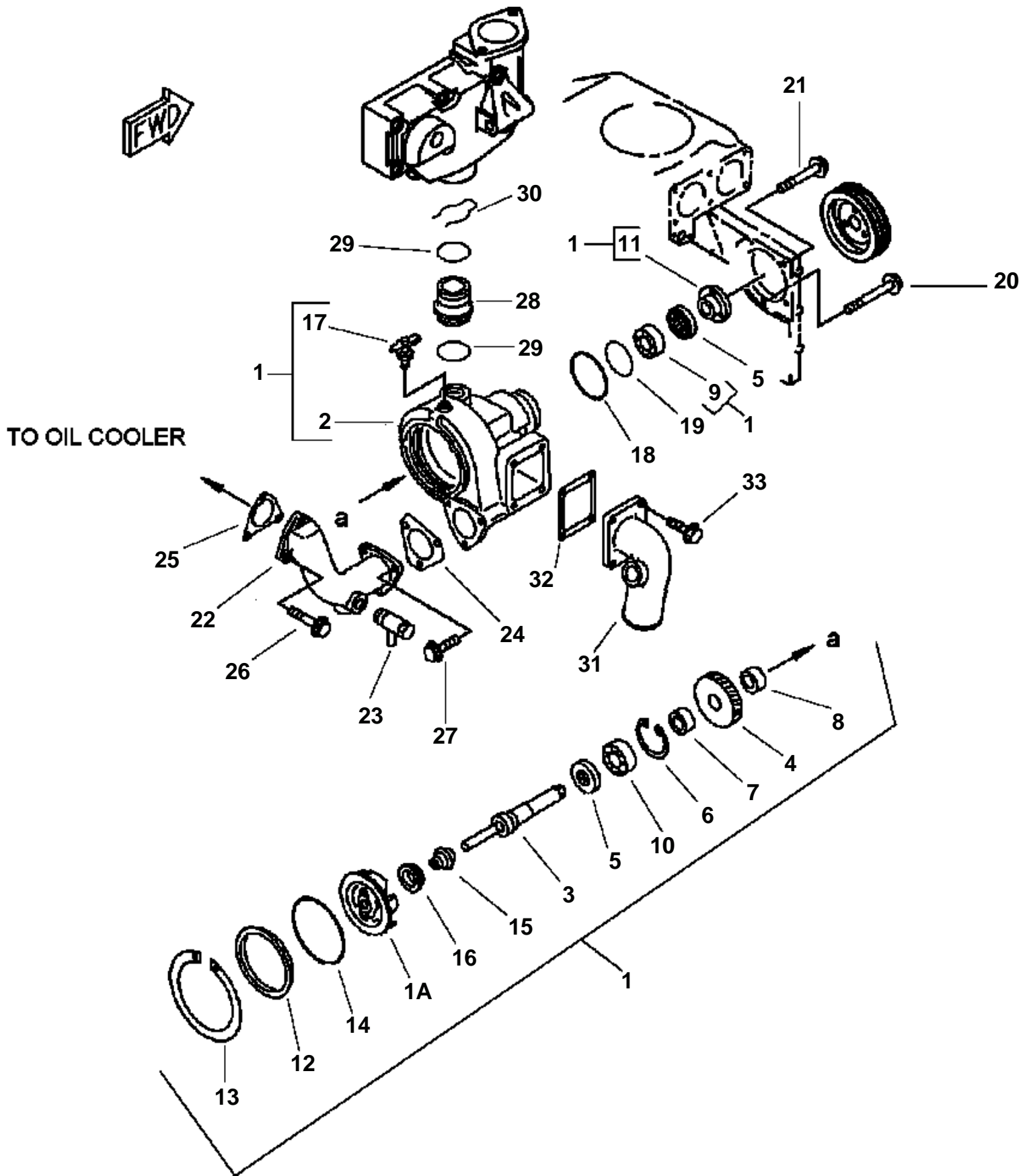


FIG. NO: GJ1K2342

INDEX NO.	PART NO.	DESCRIPTION	Q.TY	SERIAL NO.
1	6212-61-1303	WATER PUMP ASS'Y	1	
1A	6212-61-1220	· IMPELLER	1	
2		· NOT USED ORDER 6212-61-1220		
3	6212-61-1322	· SHAFT	1	
4	6212-61-1410	· GEAR	1	
5	6210-61-1520	· GASKET	2	
6	04065-07225	· CIRCLIP	1	
7	6212-61-1370	· SPACER	1	
8	6212-61-1380	· SPACER	1	
9	06000-06305	· BALL BEARING	1	
10	06030-06306	· BALL BEARING	1	
11	6210-61-1350	· FLANGE	1	
12	6212-61-1150	· COVER	1	
13	6136-61-1130	· CIRCLIP	1	
14	07000-02145	· O-RING	1	
15	6211-61-1530	· GASKET	1	
16	6212-61-1330	· RING	1	
17	07062-00000	· VALVE	1	
18	07000-72115	O-RING	1	
19	07000-72070	O-RING	1	
20	01435-01095	BOLT	3	
21	01435-01080	SCREW	1	
22	6217-61-6350	ELBOW	1	
23	07730-50004	VALVE	1	
24	6217-61-6330	GASKET	1	
25	6217-61-6340	GASKET	1	
26	01437-11080	BOLT	3	
27	01437-01030	BOLT	3	
28	6210-61-6511	TUBE	1	
29	02893-05037	O-RING	2	
30	6210-61-6520	SPRING	1	
31	6210-62-6610	CONNECTOR	1	
32	6212-61-6821	O-RING	1	
33	01435-01035	SCREW	4	

FIG. NO: GJ1K2343 WATER PUMP

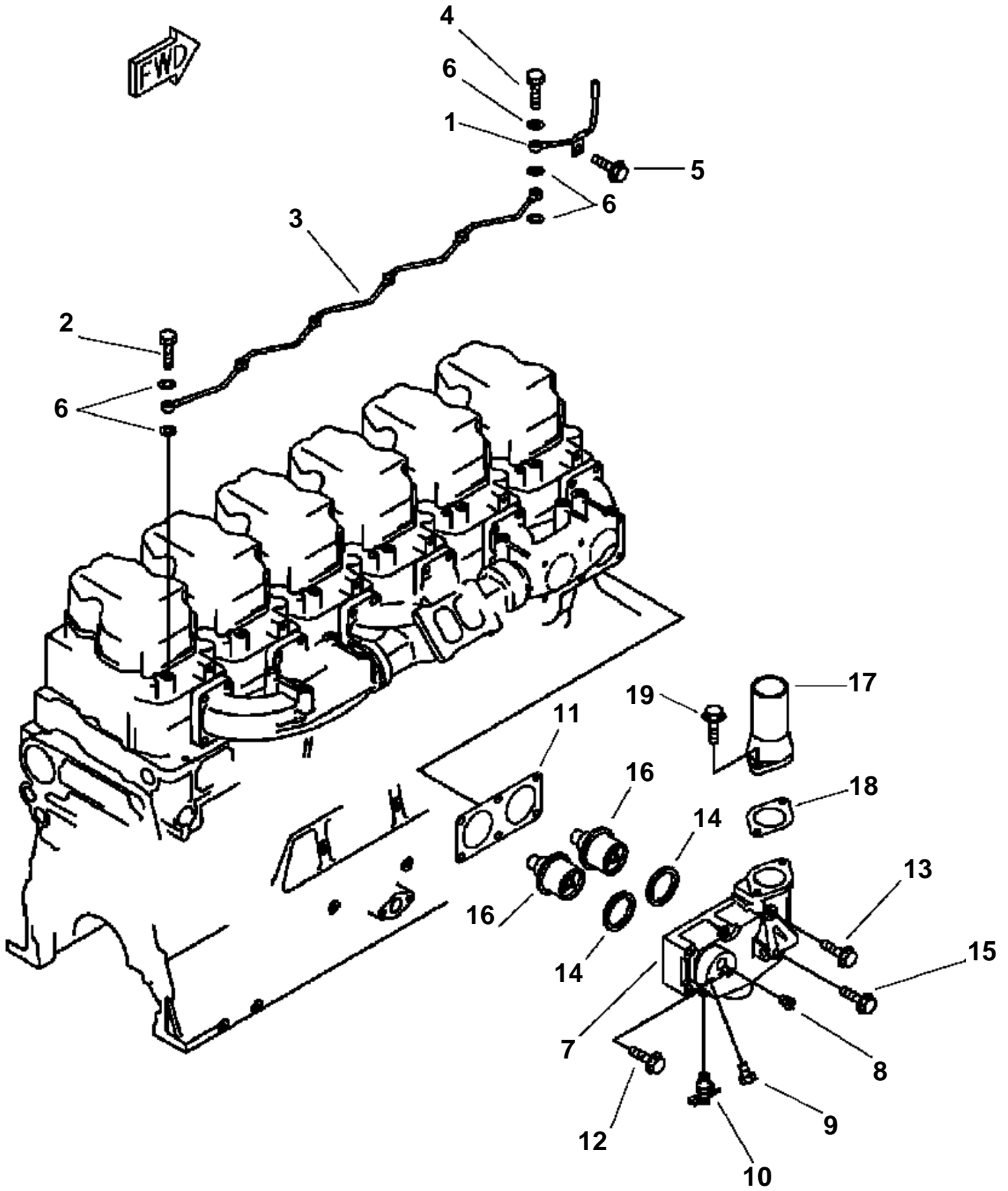


FIG. NO: GJ1K2343

INDEX NO.	PART NO.	DESCRIPTION	Q.TY	SERIAL NO.
1	6217-11-6610	TUBE	1	
2	07206-30710	BANJO BOLT	5	
3	6217-11-6520	TUBE	1	
4	6215-11-6560	BANJO BOLT	1	
5	01435-01016	SCREW	1	
6	07003-01015	GASKET	13	
7	6217-61-6420	HOUSING	1	
8	07043-00415	PLUG	1	
9	287-35-11470	PLUG	2	
10	07062-00000	VALVE	1	
11	6210-61-6421	GASKET	1	
12	01437-01065	SCREW	4	
13	01437-01080	SCREW	1	
14	6162-13-6440	SEAL	2	
15	01437-01095	BOLT	1	
16	600-421-6630	THERMOSTAT	2	
17	6210-61-6260	CONNECTOR	1	
18	6210-61-6441	GASKET	1	
19	01010-81025	SCREW	2	

FIG. NO: GJ1K2344 JOINT KIT, WATER PUMP

# **WATER PUMP GASKET SET**

FIG. NO: GJ1K2344

INDEX NO.	PART NO.	DESCRIPTION	Q.TY	SERIAL NO.
1	6217-K6-9900	GASKET KIT	1	
2	6210-61-1520	· GASKET	2	
3	07000-02145	· O-RING	1	
4	6211-61-1530	· GASKET	1	
5	07000-72115	· O-RING	1	
6	07000-72070	· O-RING	1	
7	6217-61-6330	· GASKET	1	
8	6217-61-6340	· GASKET	1	
9	02893-05037	· O-RING	2	



FIG. NO: GJ1K2345 FAN, BELT TENSIONER

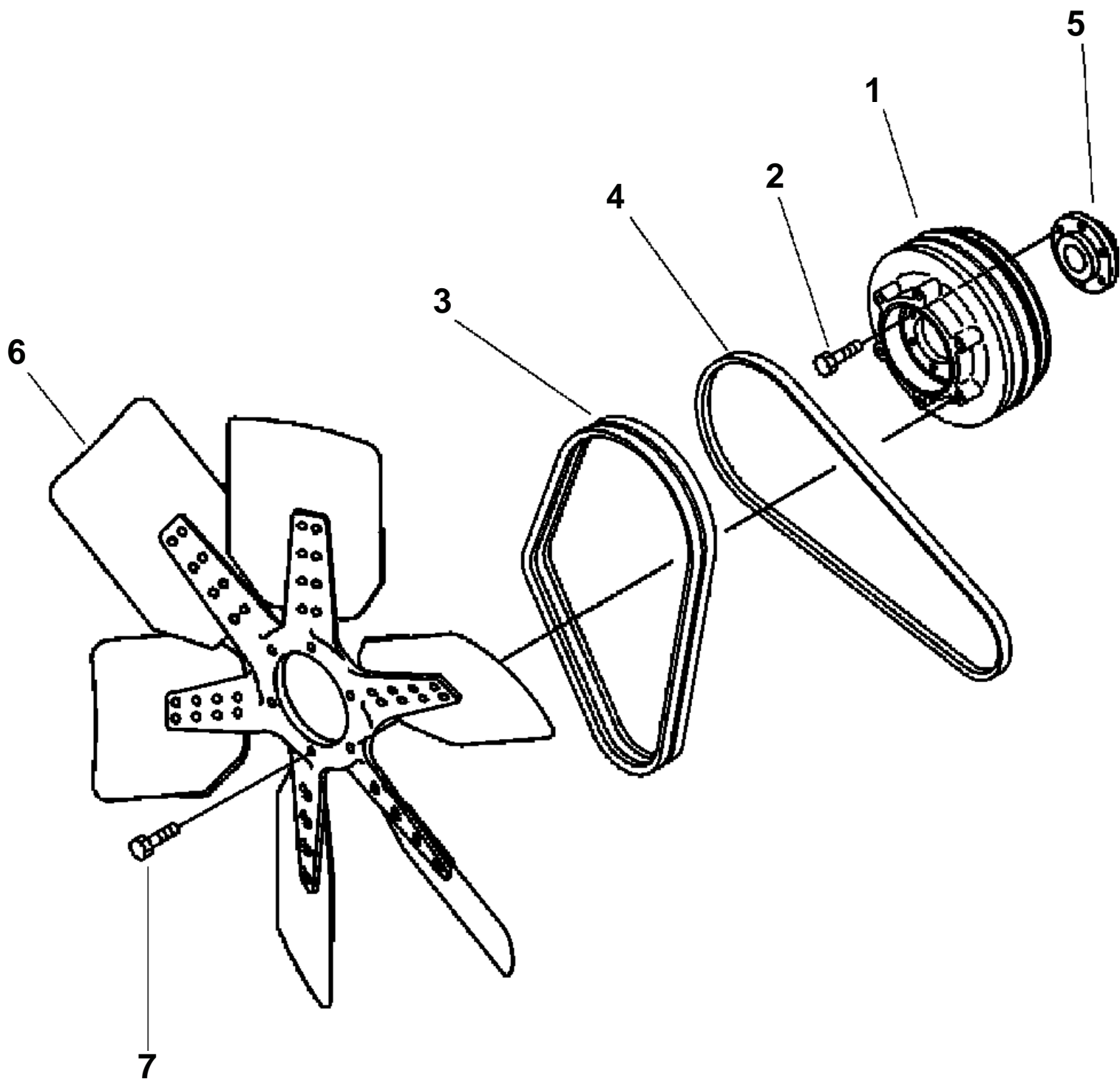


FIG. NO: GJ1K2345

INDEX NO.	PART NO.	DESCRIPTION	Q.TY	SERIAL NO.
1	6211-62-3530	PULLEY	1	
2	01010-81030	SCREW	6	
3	04121-22563	V-BELT	1	
4	04120-21761	V-BELT	1	
5	6211-61-3220	BOSS	1	
6	600-633-9060	FAN	1	
7	01010-81235	SCREW	6	

FIG. NO: GJ1K2346 FAN, BELT TENSIONER

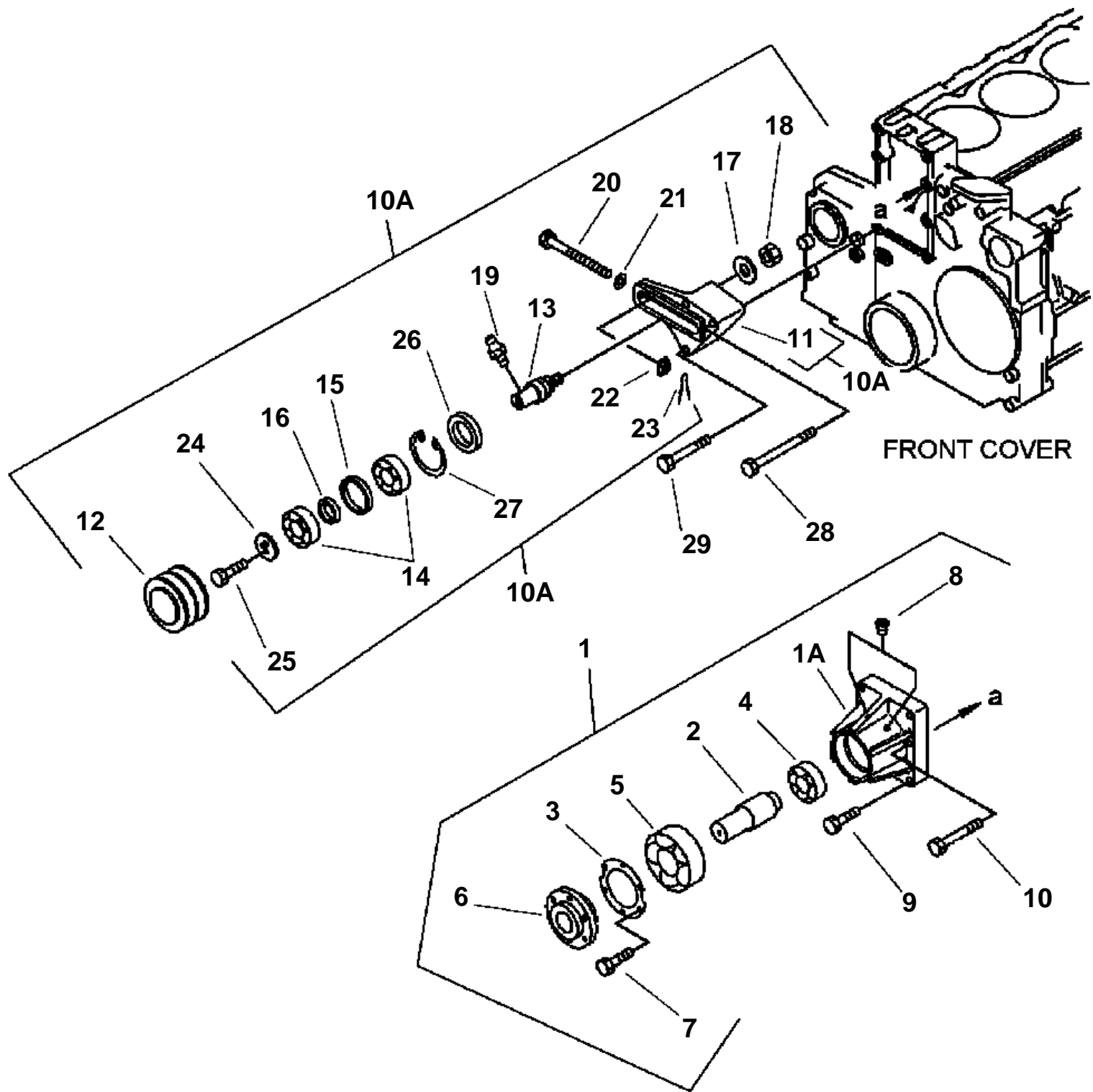


FIG. NO: GJ1K2346

INDEX NO.	PART NO.	DESCRIPTION	Q.TY	SERIAL NO.
1	6211-62-3200	BRACKET ASS'Y	1	
1A	6210-62-3120	· BRACKET	1	
2	6211-61-3330	· SHAFT	1	
3	6211-61-3240	· PLATE	1	
4	06037-06208	· BALL BEARING	1	
5	06037-06309	· BALL BEARING	1	
6	6211-61-3220	· BOSS	1	
7	01010-80816	· SCREW	6	
8	07043-50108	· PLUG	2	
9	01435-01250	SCREW	3	
10	01436-01225	SCREW	3	
10A	6217-61-4710	TENSION PULLEY	1	
11	6217-61-3810	· BRACKET	1	
12	6211-61-4710	· PULLEY	1	
13	6211-62-4730	· SHAFT	1	
14	6212-61-3721	· BALL BEARING	2	
15	6211-61-4770	· SPACER	1	
16	6211-61-4780	· SPACER	1	
17	6211-61-3890	· PLATE	1	
18	01583-02012	· NUT	1	
19	07020-00000	· LUBRICATION NIPPLE	1	
20	6217-61-3841	· SCREW	1	
21	6211-61-3850	· PLAIN WASHER	1	
22	6211-61-3860	· NUT	1	
23	04050-12015	· COTTER	1	
24	6211-61-4760	· PLATE	1	
25	01010-80820	· SCREW	2	
26	07011-00045	· SEAL	1	
27	04065-06525	· SNAP RING	1	
28	01011-81255	SCREW	1	
29	01010-81295	SCREW	2	

FIG. NO: GJ1K2347 COOLING SYSTEM

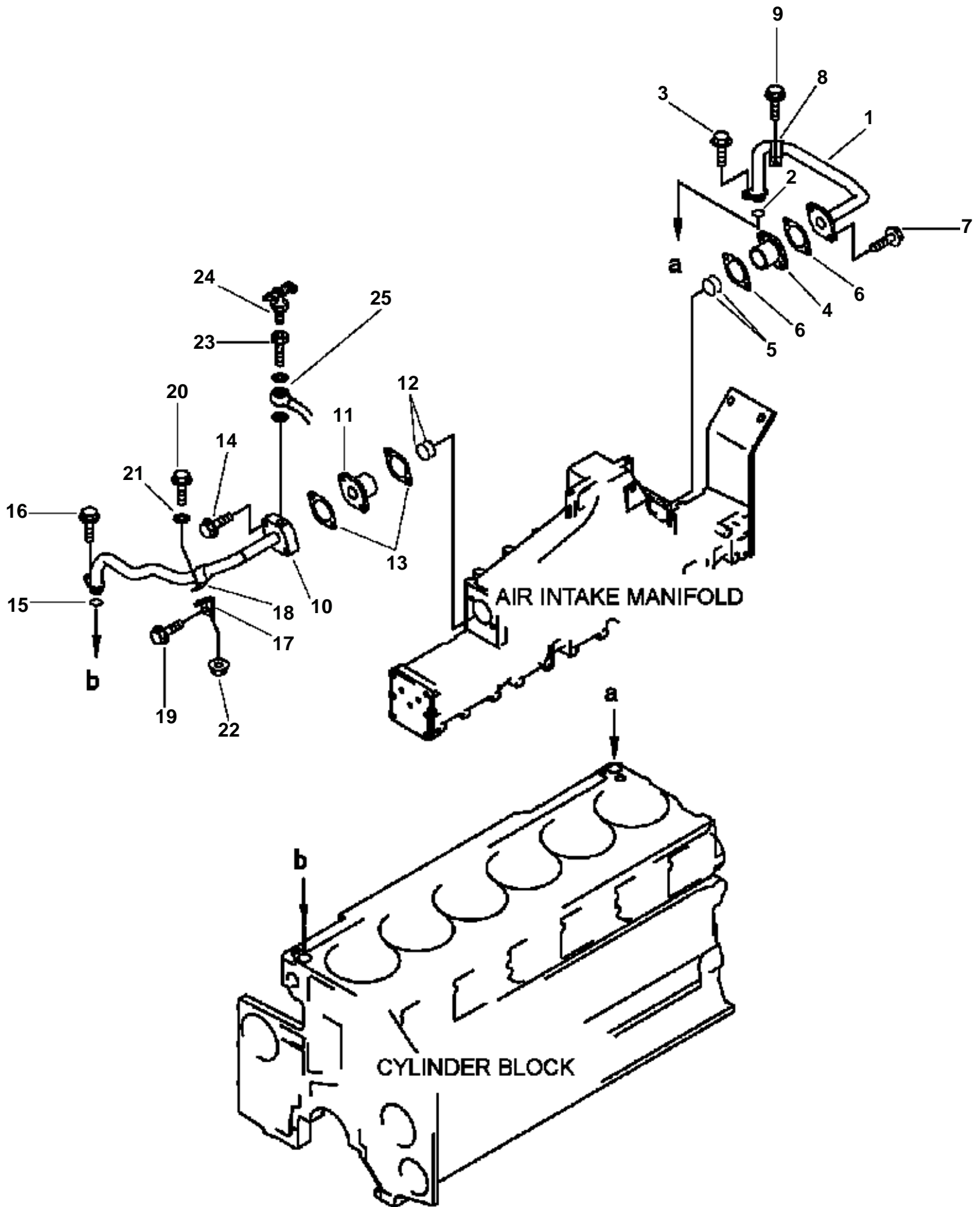


FIG. NO: GJ1K2347

INDEX NO.	PART NO.	DESCRIPTION	Q.TY	SERIAL NO.
1	6217-61-6410	TUBE	1	
2	6215-61-6630	O-RING	1	
3	01435-01020	SCREW	1	
4	6217-61-6630	CONNECTOR	1	
5	6212-61-6431	O-RING	2	
6	6217-61-6640	GASKET	2	
7	01435-01040	SCREW	2	
8	04434-52511	CLIP	1	
9	01435-01016	SCREW	1	
10	6217-61-6510	DELIVERY PIPE	1	
11	6217-61-6630	CONNECTOR	1	
12	6212-61-6431	O-RING	2	
13	6217-61-6640	GASKET	2	
14	01435-01060	SCREW	2	
15	6215-61-6630	O-RING	1	
16	01435-01020	SCREW	1	
17	6217-61-6540	BRACKET	1	
18	04434-52511	CLIP	1	
19	01435-01030	SCREW	1	
20	01435-01025	SCREW	1	
21	01643-31032	PLAIN WASHER	2	
22	01584-01008	NUT	1	
23	6217-61-6620	JOINT	1	
24	07062-00000	VALVE	1	
25	6217-61-8550	DELIVERY PIPE	1	

FIG. NO: GJ1K2348 COOLING SYSTEM

AIR INTAKE MANIFOLD

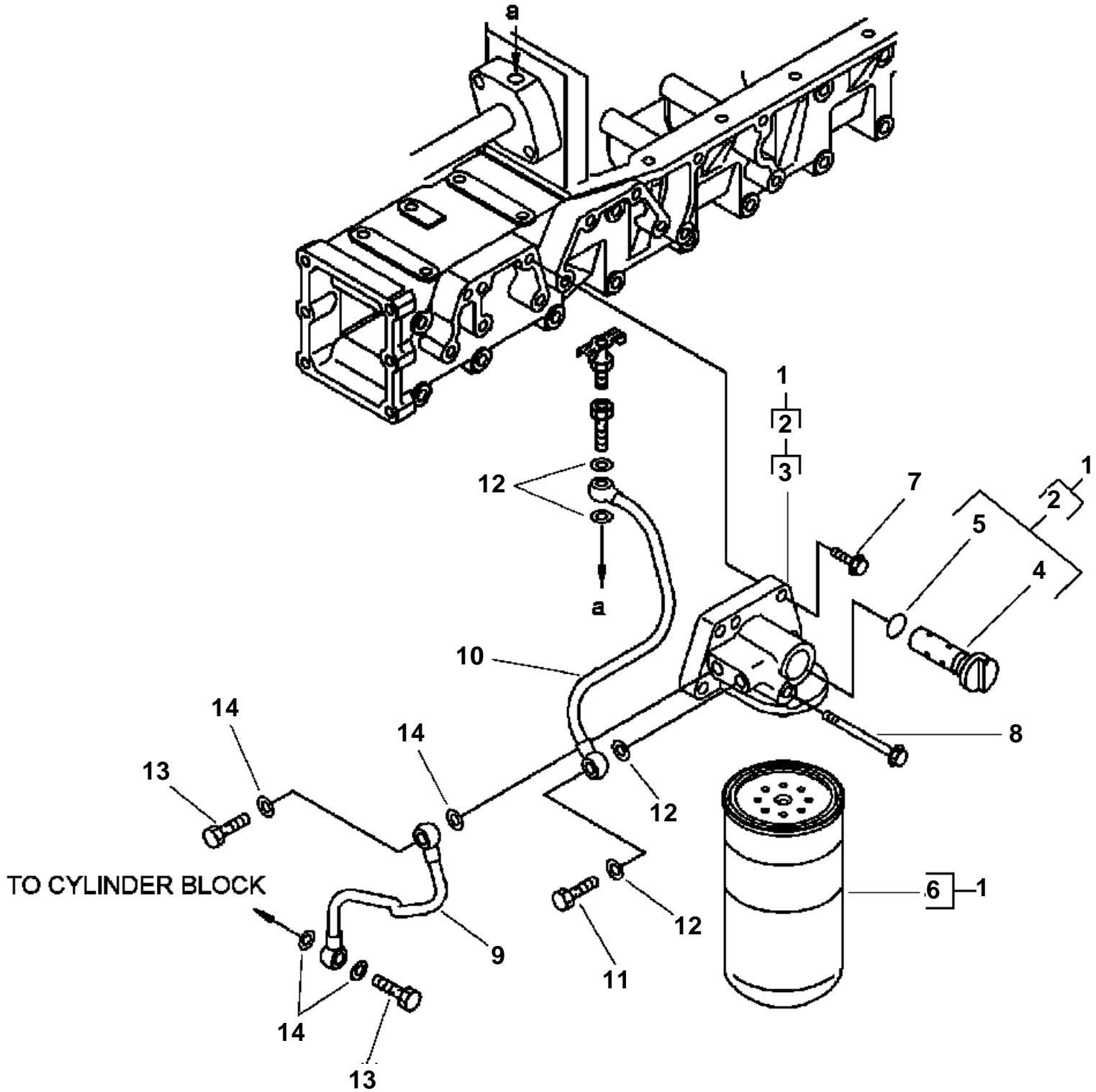


FIG. NO: GJ1K2348

INDEX NO.	PART NO.	DESCRIPTION	Q.TY	SERIAL NO.
1	6217-61-8170	CORROSION RESIST	1	
2	6217-61-8230	· HEAD ASS'Y	1	
3		· · NOT USED ORDER 6217-61-8230		
4	6217-61-8220	· · VALVE	1	
5	07000-A2021	· · O-RING	1	
6	600-411-1161	· CARTRIDGE	1	
7	01435-01035	SCREW	4	
8	01436-01000	SCREW	1	
9	6217-61-8540	TUBE	1	
10	6217-61-8550	DELIVERY PIPE	1	
11	07206-31014	BANJO BOLT	1	
12	07005-01412	SEAL	4	
13	07206-31014	BANJO BOLT	2	
14	07005-01412	SEAL	4	



FIG. NO: GJ1K2349 INJECTION SYSTEM

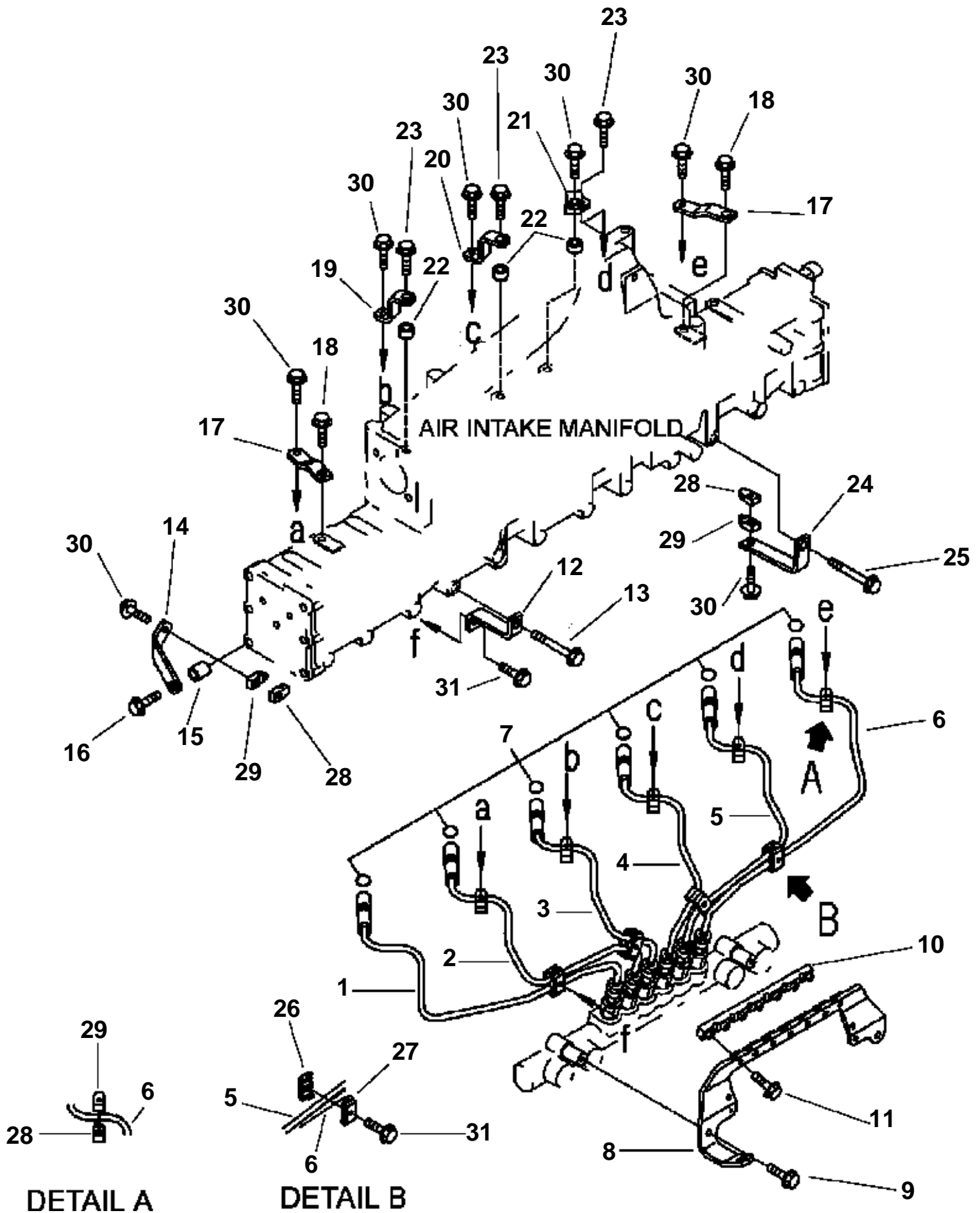


FIG. NO: GJ1K2349

INDEX NO.	PART NO.	DESCRIPTION	Q.TY	SERIAL NO.
1	6217-71-5111	INJECTION PIPE	1	
2	6217-71-5121	INJECTION PIPE	1	
3	6217-71-5131	INJECTION PIPE	1	
4	6217-71-5141	INJECTION PIPE	1	
5	6217-71-5151	INJECTION PIPE	1	
6	6217-71-5161	INJECTION PIPE	1	
7	07000-E2015	O-RING	6	
8	6217-71-5241	BRACKET	1	
9	01435-00816	SCREW	2	
10	6217-71-5260	CLAMP	1	
11	01435-00630	SCREW	7	
12	6217-71-5640	BRACKET	1	
13	01436-01075	BOLT	1	
14	6217-71-5190	BRACKET	1	
15	6643-21-6550	BOXNUT	1	
16	01435-01045	SCREW	1	
17	6217-71-5350	BRACKET	2	
18	01435-01020	SCREW	2	
19	6217-71-5360	BRACKET	1	
20	6217-71-5370	BRACKET	1	
21	6217-71-5380	BRACKET	1	
22	6131-12-5920	SPACER	3	
23	01435-01055	SCREW	3	
24	6217-71-5630	BRACKET	1	
25	01436-01075	BOLT	1	
26	6217-71-5562	CLAMP	4	
27	6217-71-5572	CLAMP	4	
28	6217-71-5182	CLAMP	7	
29	6217-71-5232	CLAMP	7	
30	01435-00630	SCREW	7	
31	01435-00625	SCREW	4	

FIG. NO: GJ1K2350 INJECTION SYSTEM

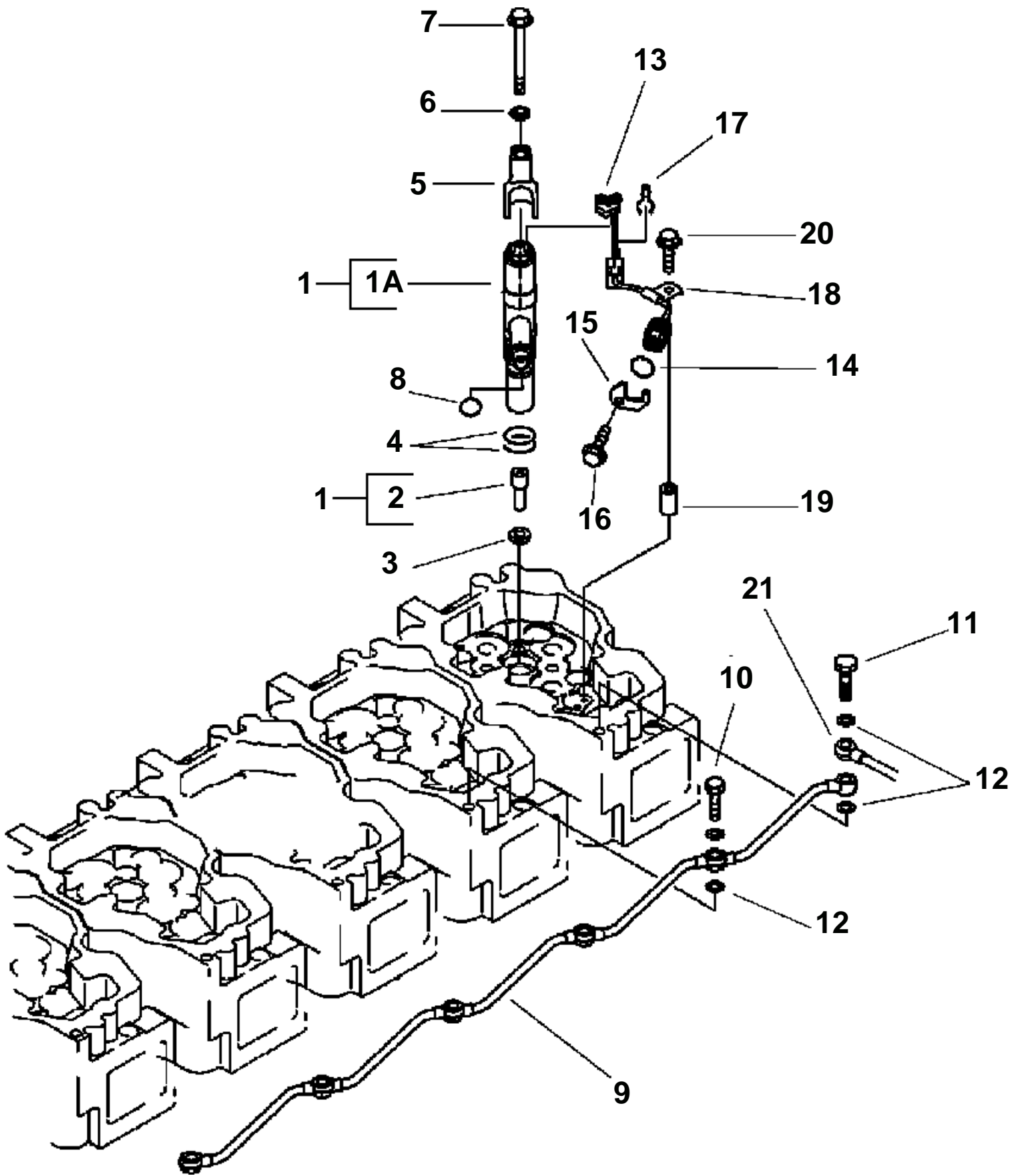


FIG. NO: GJ1K2350

INDEX NO.	PART NO.	DESCRIPTION	Q.TY	SERIAL NO.
1	6218-11-3100	INJECTOR ASS'Y	6	
1A	6218-11-3110	· BRACKET	1	
2	6218-11-3120	· FUEL INJECTOR	1	
3	6217-71-6110	GASKET	6	
4	07000-E2020	O-RING	12	
5	6217-71-1160	BRACKET	6	
6	6162-73-3640	WASHER	6	
7	01437-01070	BOLT	6	
8	07000-E2011	O-RING	6	
9	6217-71-7110	TUBE	1	
10	07206-30710	BANJO BOLT	5	
11	6215-11-6560	BANJO BOLT	1	
12	07005-01012	SEAL	13	
13	6217-81-9250	HARNESS	6	
14	07000-E2018	O-RING	6	
15	6217-71-5320	PLATE	6	
16	01435-00610	SCREW	6	
17	6217-71-5340	CLAMP	6	
18	6217-71-1150	CLAMP	6	
19	6217-71-1170	SPACER	6	
20	01435-00635	SCREW	6	
21	6217-71-7140	PIPE	1	

FIG. NO: GJ1K2351 INJECTION SYSTEM

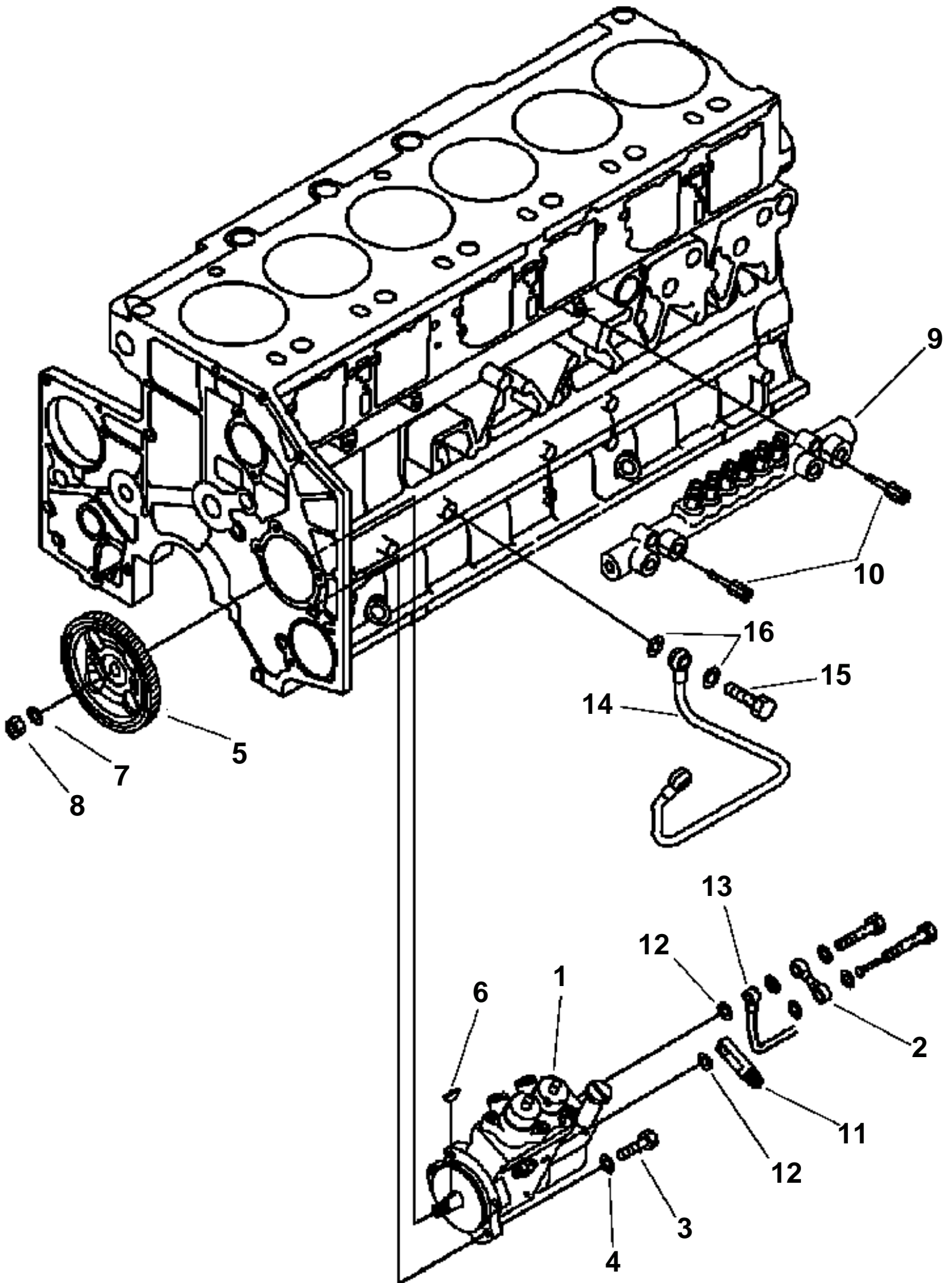


FIG. NO: GJ1K2351

INDEX NO.	PART NO.	DESCRIPTION	SEE FIG	SEE PAGE	Q.TY	SERIAL NO.
1	6217-71-1120	FUEL PUMP			1	
		FUEL PUMP	GJ1K2356	01-21		
2	6217-71-5910	TUBE			1	
3	01010-81035	SCREW			4	
4	01643-31032	PLAIN WASHER			4	
5	6217-71-3230	GEAR			1	
6	04010-00519	WOODRUFF KEY			1	
7	01643-21845	WASHER			1	
8	01583-01811	NUT			1	
9	6217-71-1211	RAIL			1	
		RAIL	GJ1K2352	01-20		
10	6217-71-5251	BOLT			2	
11	6217-71-8850	JOINT			1	
12	07005-01412	SEAL			2	
13	6217-71-5550	TUBE			1	
14	6217-71-1520	TUBE			1	
15	07206-30710	BANJO BOLT			1	
16	07005-01012	SEAL			2	

FIG. NO: GJ1K2352 INJECTION SYSTEM

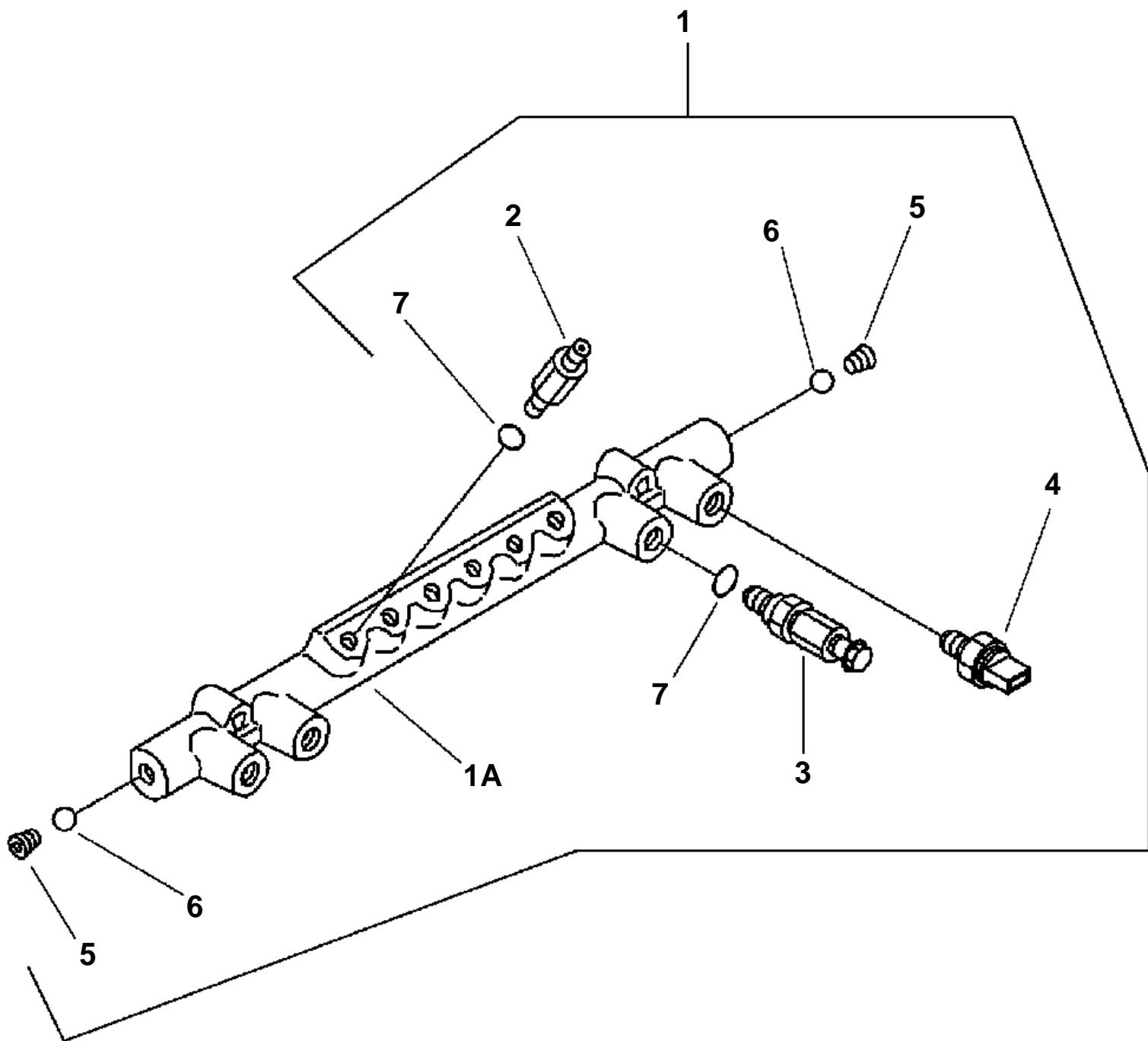
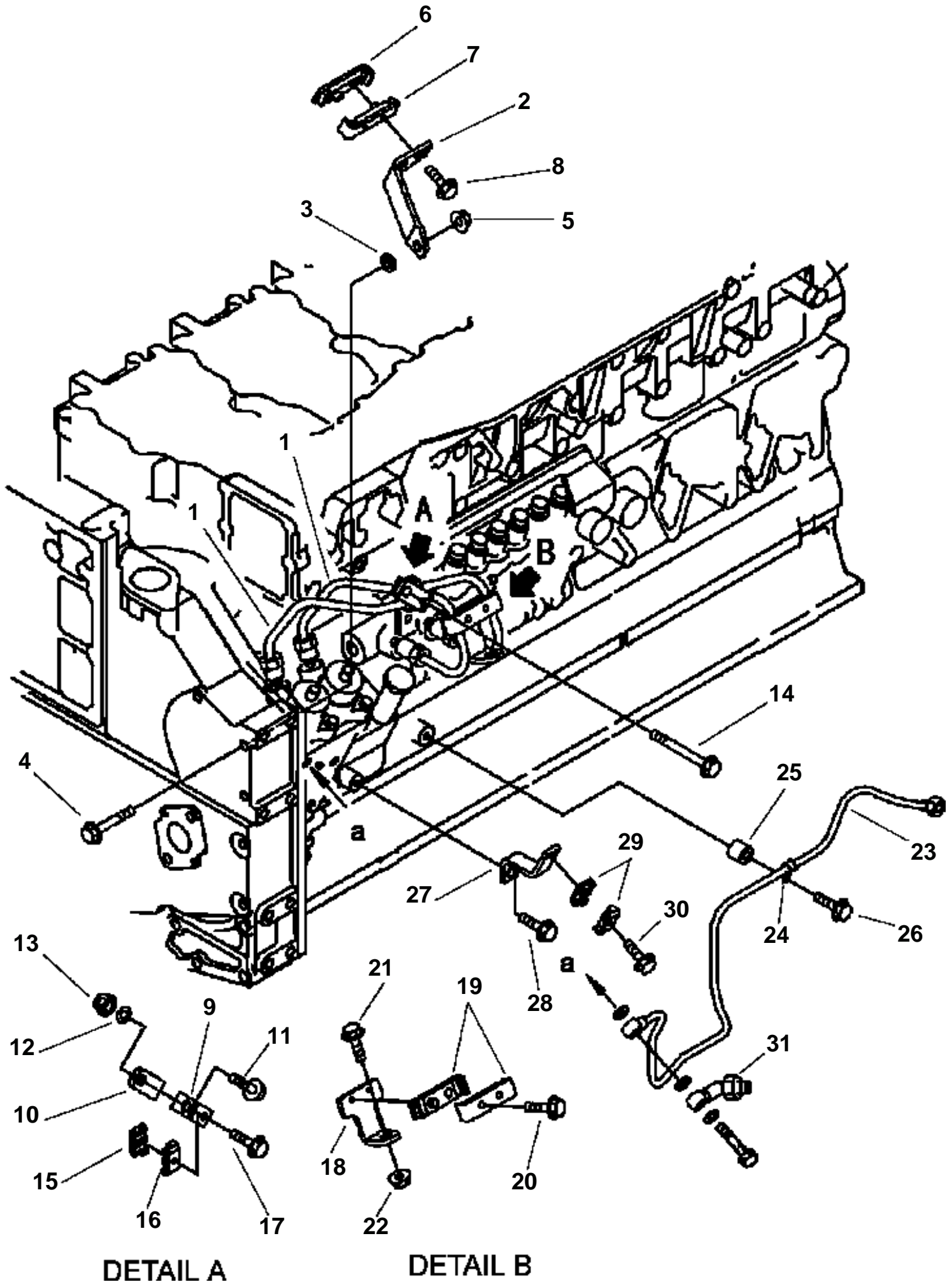


FIG. NO: GJ1K2352

INDEX NO.	PART NO.	DESCRIPTION	Q.TY	SERIAL NO.
1	6217-71-1211	RAIL	1	
2	ND095400-0240	· LIMITER	6	
3	ND095420-0140	· LIMITER	1	
4	ND499000-4441	· SENSOR	1	
5	ND095443-0080	· LOCKING UNIT	2	
6	ND949120-0570	· BALL	2	
7	ND095444-0020	· RING	7	



FIG. NO: GJ1K2353 INJECTION SYSTEM



DETAIL A

DETAIL B

FIG. NO: GJ1K2353

INDEX NO.	PART NO.	DESCRIPTION	Q.TY	SERIAL NO.
1	6217-71-4120	TUBE	2	
2	6217-71-5651	BRACKET	1	
3	6110-23-6490	SPACER	1	
4	01436-01010	SCREW	1	
5	01584-01008	NUT	1	
6	6217-71-5170	CLAMP	1	
7	6217-71-5210	CLAMP	1	
8	01435-00635	SCREW	2	
9	6217-71-5671	BRACKET	1	
10	6127-11-4421	PLATE	1	
11	01435-01030	SCREW	1	
12	01643-31032	PLAIN WASHER	1	
13	01584-01008	NUT	1	
14	01436-01075	BOLT	1	
15	6217-71-5562	CLAMP	1	
16	6217-71-5572	CLAMP	1	
17	01435-00630	SCREW	1	
18	6217-71-5281	BRACKET	1	
19	6217-71-5210	CLAMP	2	
20	01435-00630	SCREW	2	
21	01435-01025	SCREW	1	
22	01584-01008	NUT	1	
23	6217-71-5471	TUBE	1	
24	6210-51-8320	CLIP	1	
25	175-79-83760	DISTANCE PIECE	1	
26	01435-01035	SCREW	1	
27	6217-71-5660	BRACKET	1	
28	01435-01020	SCREW	1	
29	6217-71-5572	CLAMP	2	
30	01435-00630	SCREW	1	
31	6217-71-8820	JOINT	1	

FIG. NO: GJ1K2354 INJECTION SYSTEM

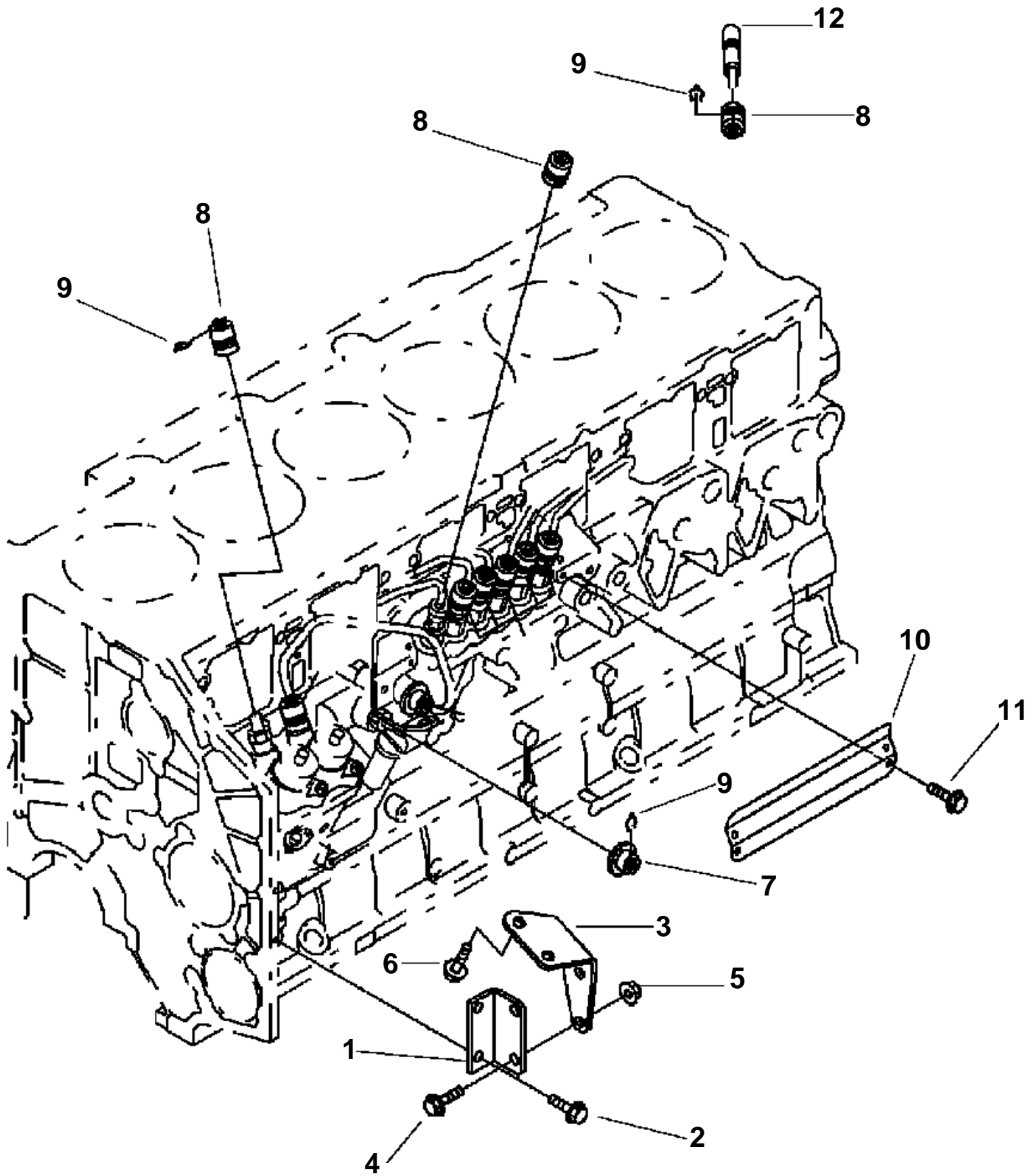


FIG. NO: GJ1K2354

INDEX NO.	PART NO.	DESCRIPTION	SEE FIG	SEE PAGE	Q.TY	SERIAL NO.
1	6217-21-6120	BRACKET			1	
2	01435-01020	SCREW			2	
3	6217-21-6210	BRACKET			1	
4	01435-01020	SCREW			2	
5	01584-01008	NUT			2	
6	01435-01220	SCREW			2	
7	6217-71-9780	CAP			2	
8	6217-71-9790	CAP			14	
9	6217-71-5770	CLAMP			10	
10	6217-71-5591	COVER			1	
11	01435-00612	SCREW			4	
12		PIPE			1	
		PIPE	GJ1K2349	01-20		

FIG. NO: GJ1K2355 INJECTION SYSTEM

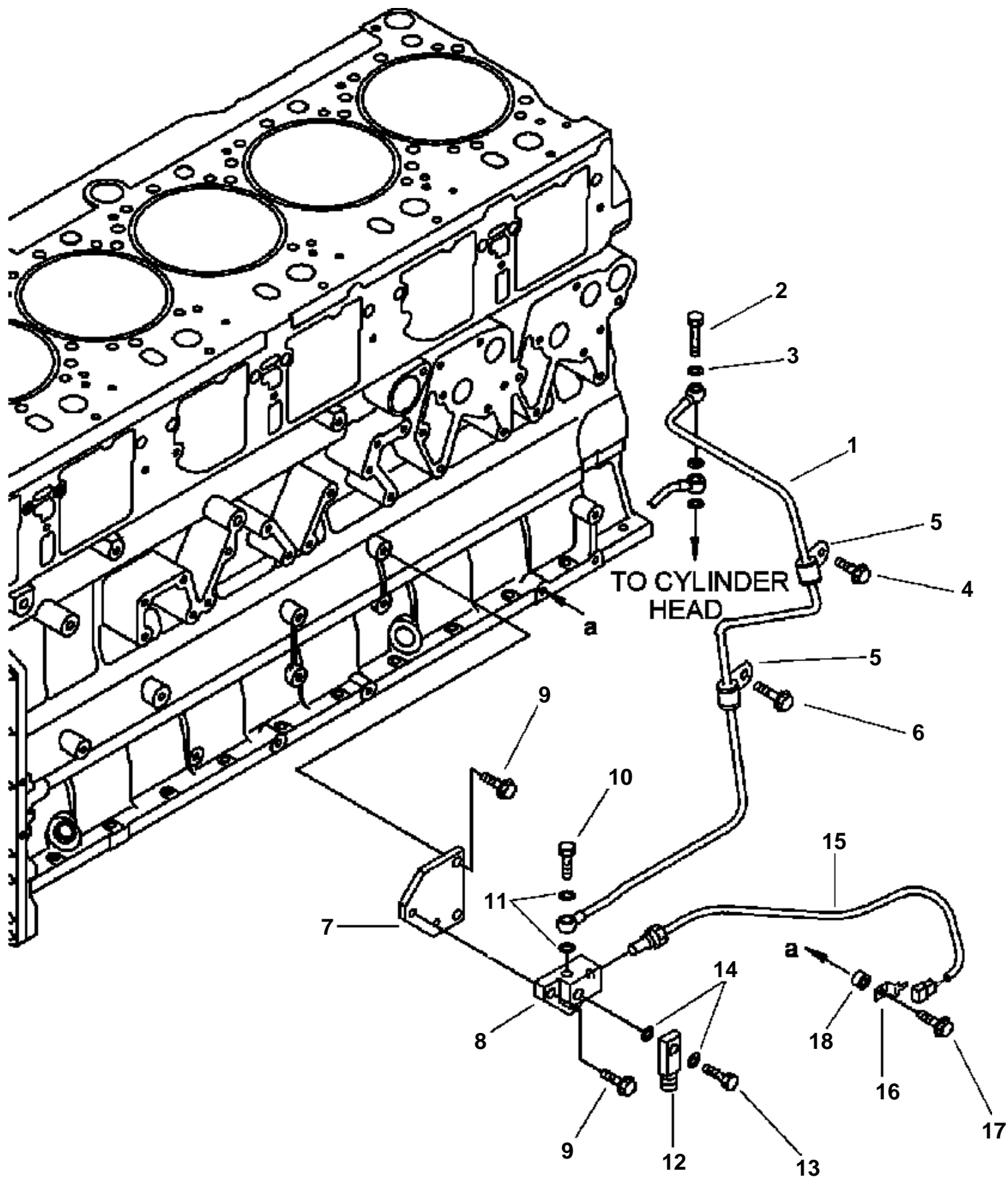


FIG. NO: GJ1K2355

INDEX NO.	PART NO.	DESCRIPTION	Q.TY	SERIAL NO.
1	6217-71-7140	PIPE	1	
2	6215-11-6560	BANJO BOLT	1	
3	07005-01012	SEAL	1	
4	01435-01020	SCREW	1	
5	6210-51-8320	CLIP	2	
6	01435-01030	SCREW	1	
7	6217-71-5830	PLATE	1	
8	6217-71-5840	BLOCK	1	
9	01435-01025	SCREW	4	
10	07206-30812	BANJO BOLT	1	
11	07005-01212	SEAL	2	
12	6151-71-8810	JOINT	1	
13	07206-31014	BANJO BOLT	1	
14	07005-01412	SEAL	2	
15	7861-93-3520	THERMOCOUPLE	1	
16	08193-20010	BRACKET	1	
17	01435-01025	SCREW	1	
18	419-15-17540	SPACER	1	

FIG. NO: GJ1K2356 INJECTION PUMP

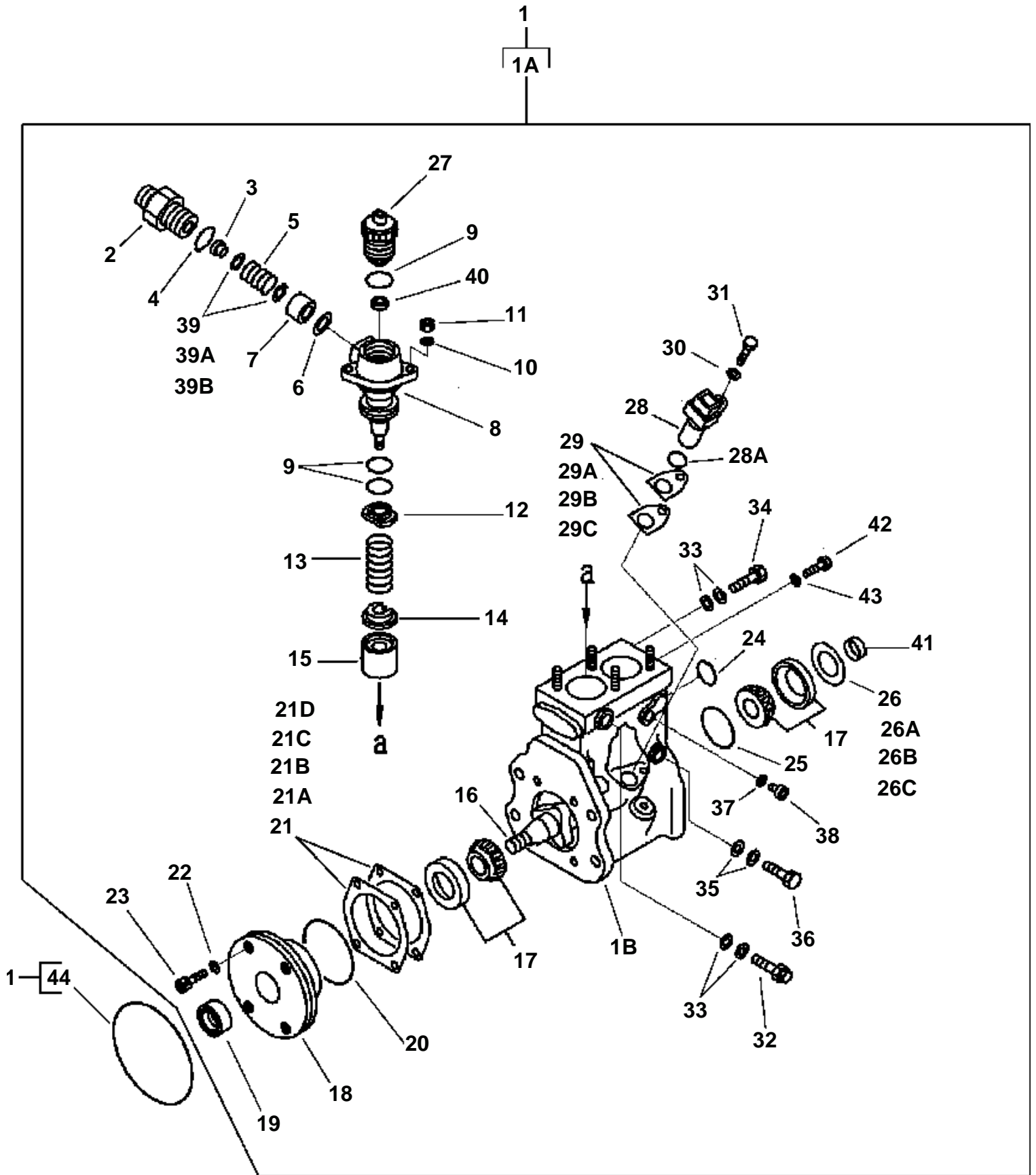


FIG. NO: GJ1K2356

INDEX NO.	PART NO.	DESCRIPTION	Q.TY	SERIAL NO.
1	6217-71-1120	FUEL PUMP	1	
1A	ND094100-0260	· BODY ASS'Y	1	
1B	ND094110-0210	· · HOUSING ASS'Y	1	
2	ND094131-0020	· · BRACKET	2	
3	ND094133-0020	· · STOPPER	2	
4	ND094086-0090	· · O-RING	2	
5	ND090136-1251	· · SPRING	2	
6	ND094137-0010	· · GASKET	2	
7	ND094140-0020	· · VALVE	2	
8	ND094150-0192	· · ELEMENT ASS'Y	2	
9	ND094086-0100	· · O-RING	6	
10	ND949013-5880	· · PLAIN WASHER	4	
11	ND92156-08081	· · NUT	4	
12	ND094162-0040	· · SEAT	2	
13	ND094164-0010	· · SPRING	2	
14	ND094165-0021	· · SEAT	2	
15	ND094170-0032	· · TAPPET ASS'Y	2	
16	ND094191-0130	· · CAMSHAFT	1	
17	ND949101-0230	· · BEARING	2	
18	ND094104-0100	· · COVER	1	
19	ND949150-3030	· · GASKET	1	
20	ND094086-0120	· · O-RING	1	
21	ND094095-0100	· · SHIM THICKNESS 0.05 MM	AR	
21A	ND094095-0130	· · SHIM THICKNESS 0.10 MM	AR	
21B	ND094095-0140	· · SHIM THICKNESS 0.20 MM	AR	
21C	ND094095-0150	· · SHIM THICKNESS 0.30 MM	AR	
21D	ND094095-0160	· · SHIM THICKNESS 0.50 MM	AR	
22	ND904092-0010	· · PLAIN WASHER	4	
23	ND949044-3320	· · SCREW	4	
24	ND094086-0110	· · O-RING	1	
25	ND094086-0130	· · O-RING	1	
26	ND094093-0050	· · SHIM THICKNESS 0.40 MM	AR	
26A	ND094093-0060	· · SHIM THICKNESS 0.60 MM	AR	
26B	ND094093-0070	· · SHIM THICKNESS 0.80 MM	AR	
26C	ND094093-0080	· · SHIM THICKNESS 1.00 MM	AR	
27	ND095300-0040	· · VALVE	2	
28	ND029600-0580	· · SENSOR	1	
28A	ND949140-6310	· · · O-RING	1	
29	ND094096-0050	· · SHIM THICKNESS 0.15 MM	AR	
29A	ND094096-0060	· · SHIM THICKNESS 0.20 MM	AR	



FIG. NO: GJ1K2356

INDEX NO.	PART NO.	DESCRIPTION	Q.TY	SERIAL NO.
29B	ND094096-0070	· · SHIM THICKNESS 0.25 MM	AR	
29C	ND094096-0080	· · SHIM THICKNESS 0.40 MM	AR	
30	ND90200-06081	· · PLAIN WASHER	1	
31	ND90107-06161	· · SCREW	1	
32	ND090310-0500	· · VALVE	1	
33	ND090222-0070	· · PLAIN WASHER	5	
34	ND949180-0310	· · SCREW	1	
35	ND090222-0120	· · PLAIN WASHER	2	
36	ND949180-0060	· · SCREW	1	
37	ND949018-0350	· · PLAIN WASHER	1	
38	ND090317-0140	· · PLUG	1	
39	ND90218-06120	· · PLAIN WASHER THICKNESS 0.30 MM	AR	
39A	ND90218-06130	· · PLAIN WASHER THICKNESS 0.10 MM	AR	
39B	ND90218-06140	· · PLAIN WASHER THICKNESS 0.50 MM	AR	
40	ND095331-0020	· · STOPPER	2	
41	ND090207-0100	· · RING	1	
42	ND090244-0010	· · SCREW	1	
43	ND949010-3020	· · PLAIN WASHER	1	
44	ND094086-0210	· O-RING	1	

FIG. NO: GJ1K2357 FUEL PUMP

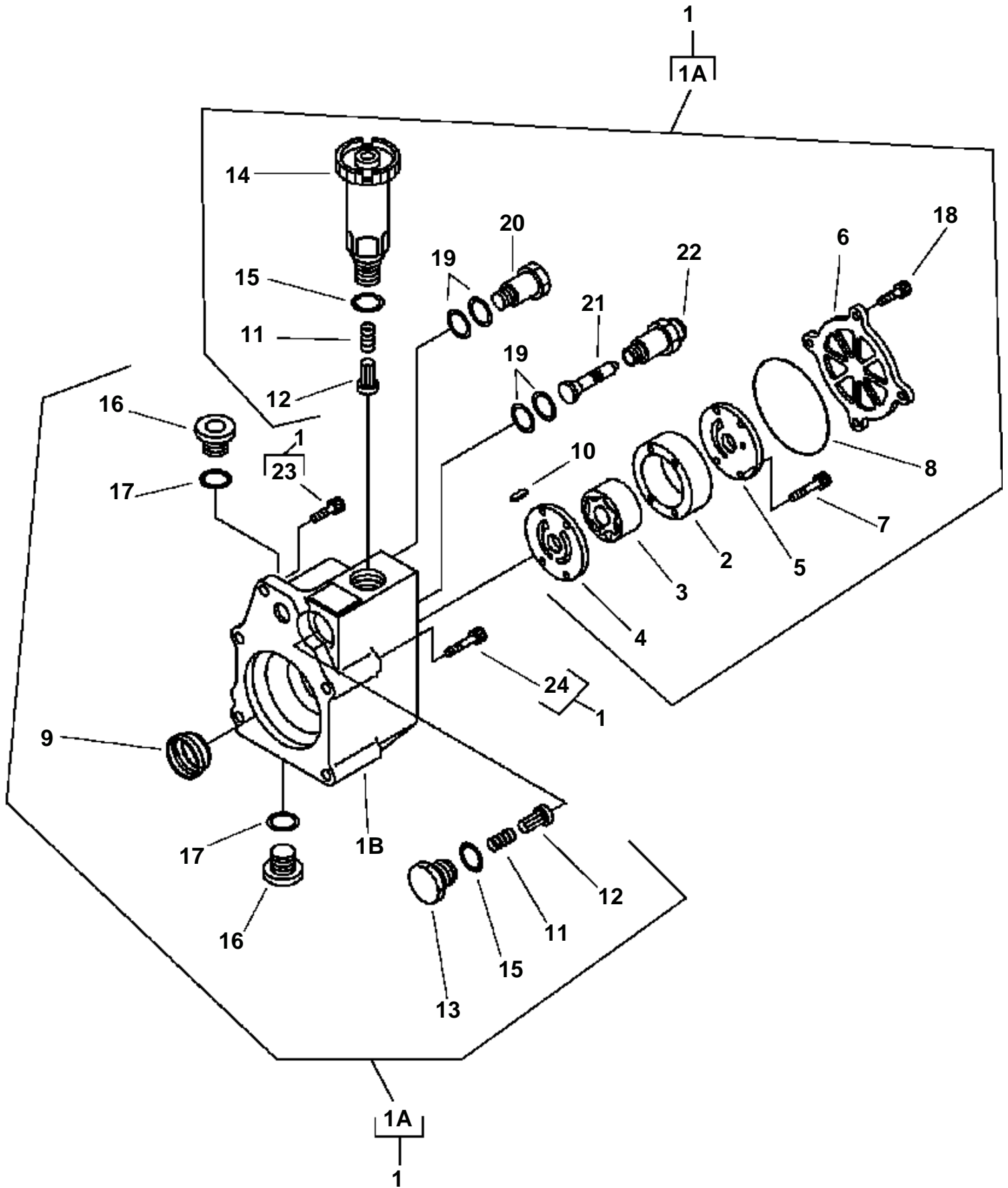


FIG. NO: GJ1K2357

INDEX NO.	PART NO.	DESCRIPTION	Q.TY	SERIAL NO.
1	6717-71-1120	FUEL PUMP	1	
1A	ND094200-0250	· FEED PUMP ASS'Y	1	
1B	ND094210-0070	· · HOUSING ASS'Y	1	
2	ND094231-0050	· · CASING	1	
3	ND094230-0040	· · PUMP	1	
4	ND094241-0040	· · PLATE	1	
5	ND094244-0040	· · PLATE	1	
6	ND094251-0050	· · COVER	1	
7	ND094082-0040	· · SCREW	4	
8	ND094086-0200	· · O-RING	1	
9	ND094087-0050	· · GASKET	1	
10	ND094205-0030	· · KEY	1	
11	ND092124-0010	· · SPRING	2	
12	ND092121-0011	· · VALVE	2	
13	ND092126-0010	· · PLUG	1	
14	ND092130-0360	· · PRIMING PUMP	1	
15	ND092125-0010	· · GASKET	2	
16	ND090317-0060	· · PLUG	2	
17	ND949018-1500	· · PLAIN WASHER	2	
18	ND949044-3320	· · SCREW	4	
19	ND090222-0070	· · PLAIN WASHER	6	
20	ND090310-0490	· · VALVE	1	
21	ND092220-0040	· · FILTER	1	
22	ND092223-0042	· · SCREW	1	
23	ND949044-3320	· SCREW	1	
24	ND096449-0070	· SCREW	4	

FIG. NO: GJ1K2358 FUEL SYSTEM, PRE FILTER

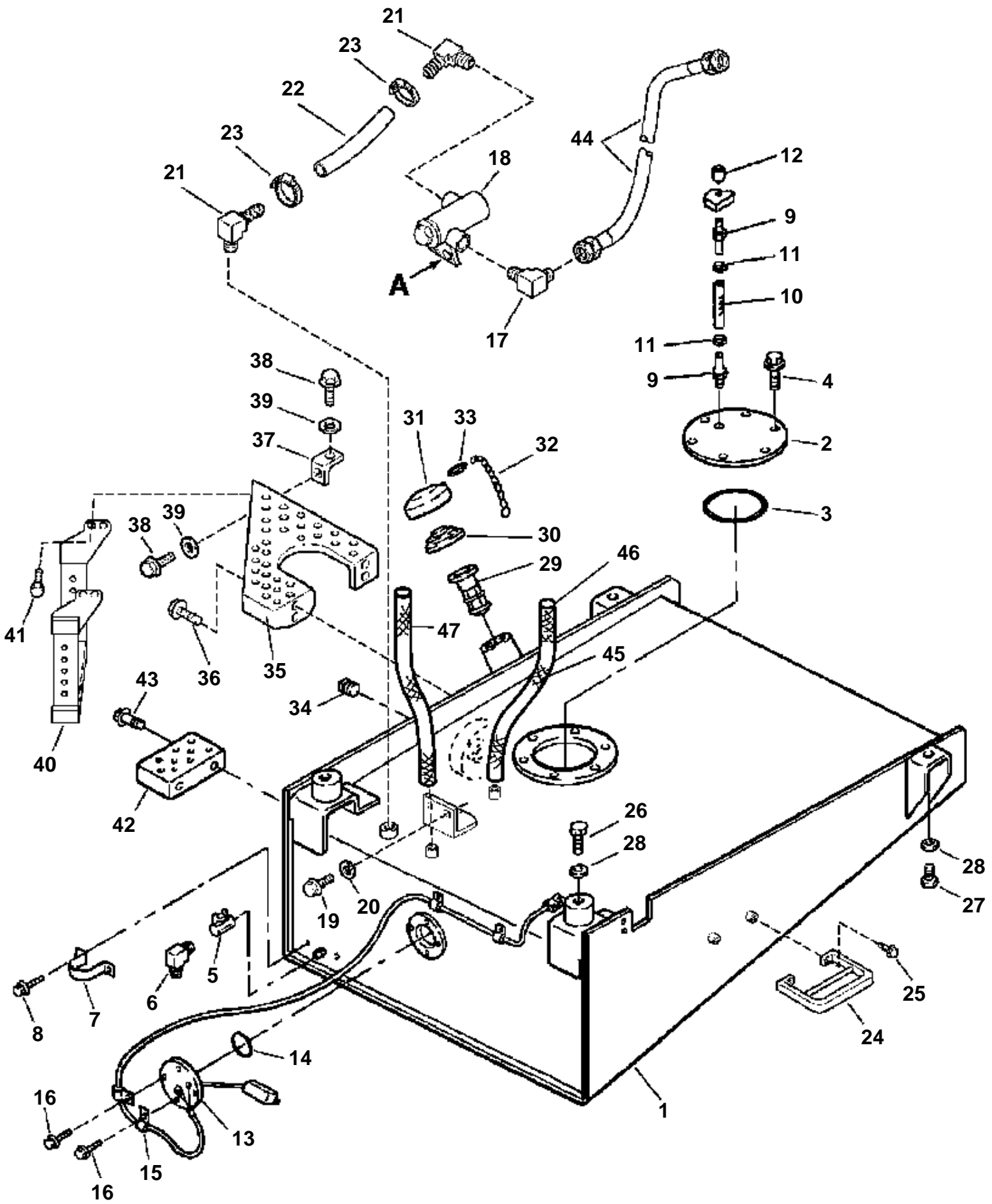


FIG. NO: GJ1K2358

INDEX NO.	PART NO.	DESCRIPTION	Q.TY	SERIAL NO.
1	425-04-H1111	FUEL TANK	1	
2	421-04-11182	COVER	1	
3	07000-15200	O-RING	1	
4	01435-01020	SCREW	6	
5	363-04-11130	VALVE	1	
6	07217-71013	ELBOW	1	
7	425-04-21430	PROTECTOR	1	
8	01435-00816	SCREW	2	
9	113-04-32130	NIPPLE	2	
10	07288-01004	HOSE	1	
11	07281-00197	CLIP	2	
12	07030-00252	BREATHER	1	
13	7861-92-4831	SENSOR	1	
14	07000-12085	O-RING	1	
15	04434-50610	CLIP	2	
16	01435-01016	SCREW	4	
17	195-04-12280	ELBOW NIPPLE	1	
18	07058-20000	FILTER	1	
19	01016-50825	SCREW	2	
20	01643-30823	PLAIN WASHER	2	
21	425-04-21440	ELBOW	2	
22	425-04-21450	HOSE	1	
23	07281-00197	CLIP	2	
24	425-54-24560	STAIR	1	
25	01435-01220	SCREW	2	
26	01011-62425	SCREW	2	
27	01010-62470	SCREW	2	
28	01643-32460	PLAIN WASHER	4	
29	17M-04-41190	SIEVE	1	
30	19M-04-11220	TANK CAP	1	
31	427-04-21260	TANK CAP	1	
32	427-04-21270	CHAIN	1	
33	421-35-14370	RING	1	
34	426-04-11150	PLUG	1	
35	425-54-24540	STAIR	1	
36	01435-01220	SCREW	4	
37	425-54-24530	BRACKET	1	
38	01435-01225	SCREW	2	
39	01643-31232	PLAIN WASHER	2	
40	421-54-24980	STAIR	1	
41	01435-01225	SCREW	4	
42	425-54-24550	STAIR	1	
43	01435-01220	SCREW	2	
44	07102-204A6	HOSE	1	
45	07102-203A5	HOSE	1	
46	07238-10317	NIPPLE	1	
47	07621-00304	HOSE	1	

FIG. NO: GJ1K2659 FUEL FILTER

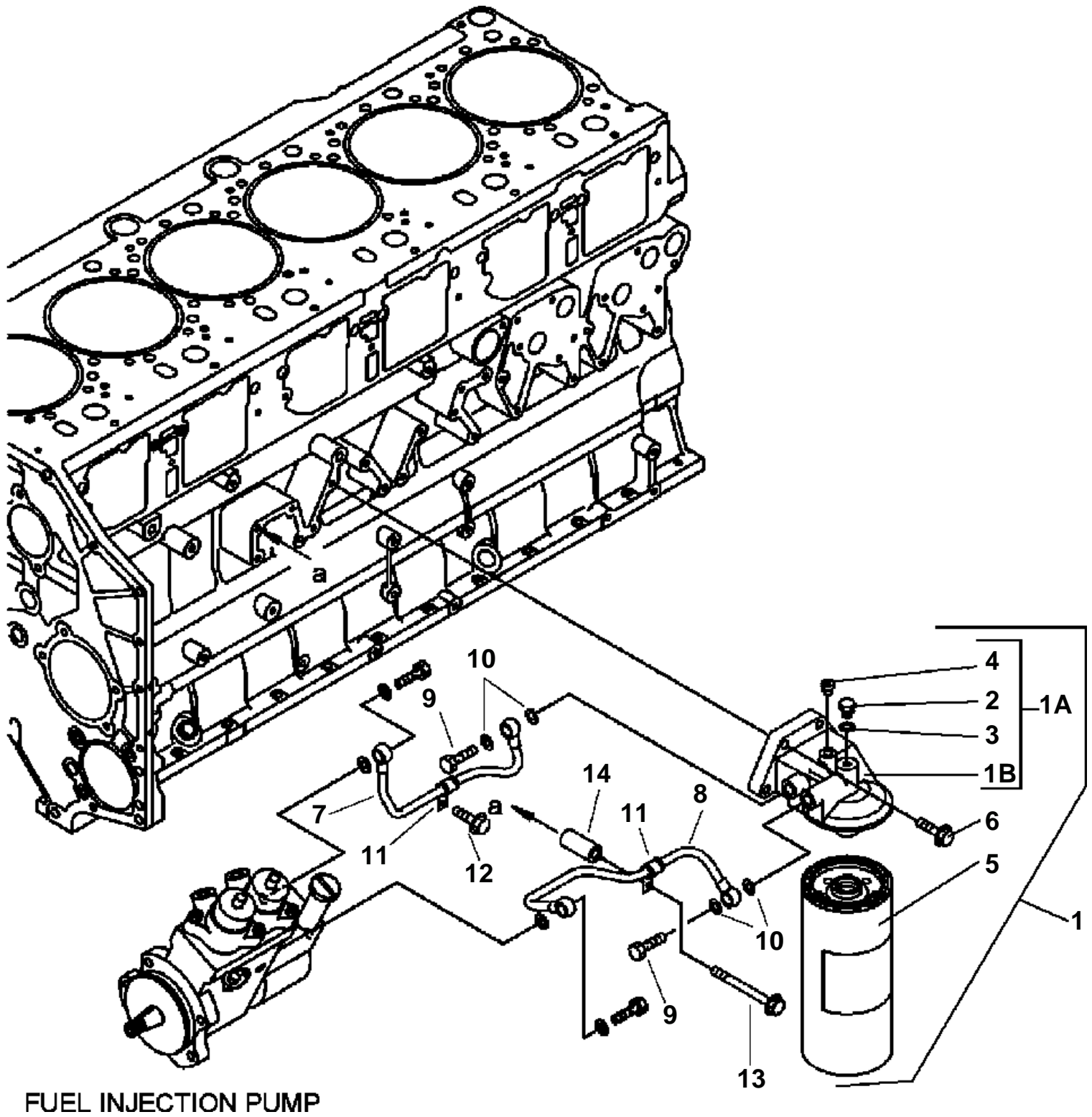


FIG. NO: GJ1K2659

INDEX NO.	PART NO.	DESCRIPTION	Q.TY	SERIAL NO.
1	6217-71-6200	FUEL FILTER	1	
1A	6217-71-6230	· FILTER HEAD	1	
1B	6217-71-6210	· · HEAD	1	
2	6110-73-6231	· · SCREW	1	
3	07005-00812	· · SEAL	1	
4	07043-70108	· · PLUG	1	
5	600-311-3110	· FUEL FILTER	1	
6	01435-01035	SCREW	4	
7	6217-71-5550	TUBE	1	
8	6217-71-5540	TUBE	1	
9	07206-31014	BANJO BOLT	2	
10	07005-01412	SEAL	4	
11	6151-53-8280	CLIP	2	
12	01435-01016	SCREW	1	
13	01435-01065	SCREW	1	
14	6152-51-5520	SPACER	1	

FIG. NO: GJ1K2360 INTAKE MANIFOLD, TURBOCHARGER

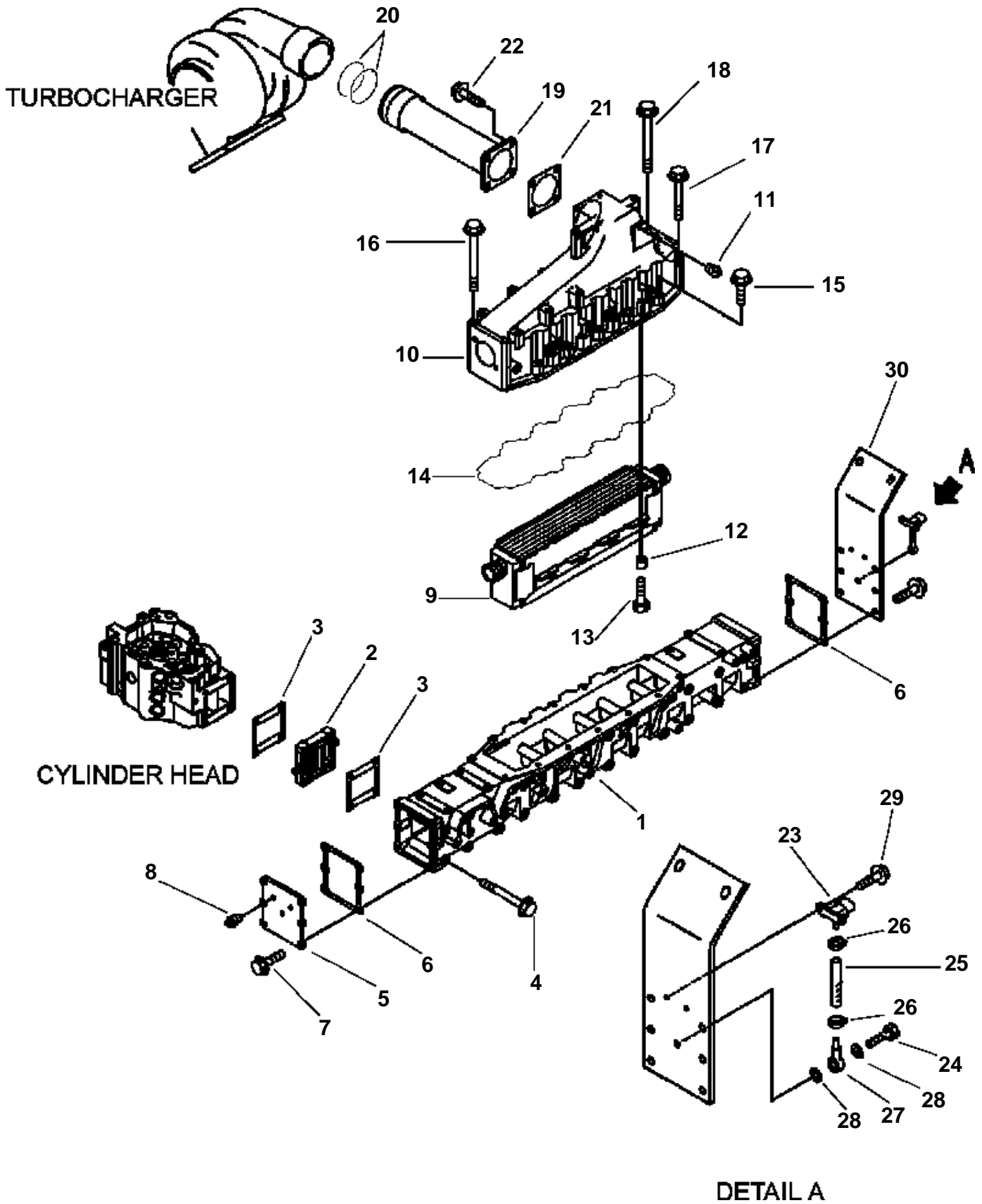




FIG. NO: GJ1K2360

INDEX NO.	PART NO.	DESCRIPTION	Q.TY	SERIAL NO.
1	6217-11-4110	MANIFOLD	1	
2	600-815-4291	FILTER	6	
3	6210-11-4811	GASKET	12	
4	01436-01070	SCREW	21	
5	6218-11-4250	PLATE	1	
6	6217-11-4820	GASKET	2	
7	01435-01035	SCREW	5	
8	07042-A0108	PLUG	3	
9	6217-61-6120	CORE	1	
10	6217-11-4210	COVER	1	
11	07042-A0108	PLUG	1	
12	175-79-83760	DISTANCE PIECE	8	
13	01010-81045	SCREW	8	
14	6217-11-4710	O-RING	1	
15	01435-01045	SCREW	7	
16	01436-01045	SCREW	2	
17	01436-01000	SCREW	1	
18	01436-01025	SCREW	1	
19	6217-11-4320	CONNECTOR	1	
20	02895-77075	O-RING	2	
21	6217-11-4330	GASKET	1	
22	01435-01030	SCREW	1	
23	6217-81-9240	SENSOR	1	
24	07206-30710	BANJO BOLT	1	
25	6217-11-4430	HOSE	1	
26	07281-00137	CLIP	2	
27	6206-71-1770	JOINT	1	
28	07005-01012	SEAL	2	
29	01435-00612	SCREW	2	
30	6217-11-4651	BRACKET	1	

FIG. NO: GJ1K2361 INTAKE MANIFOLD, TURBOCHARGER, ELECTRIC SYSTEM

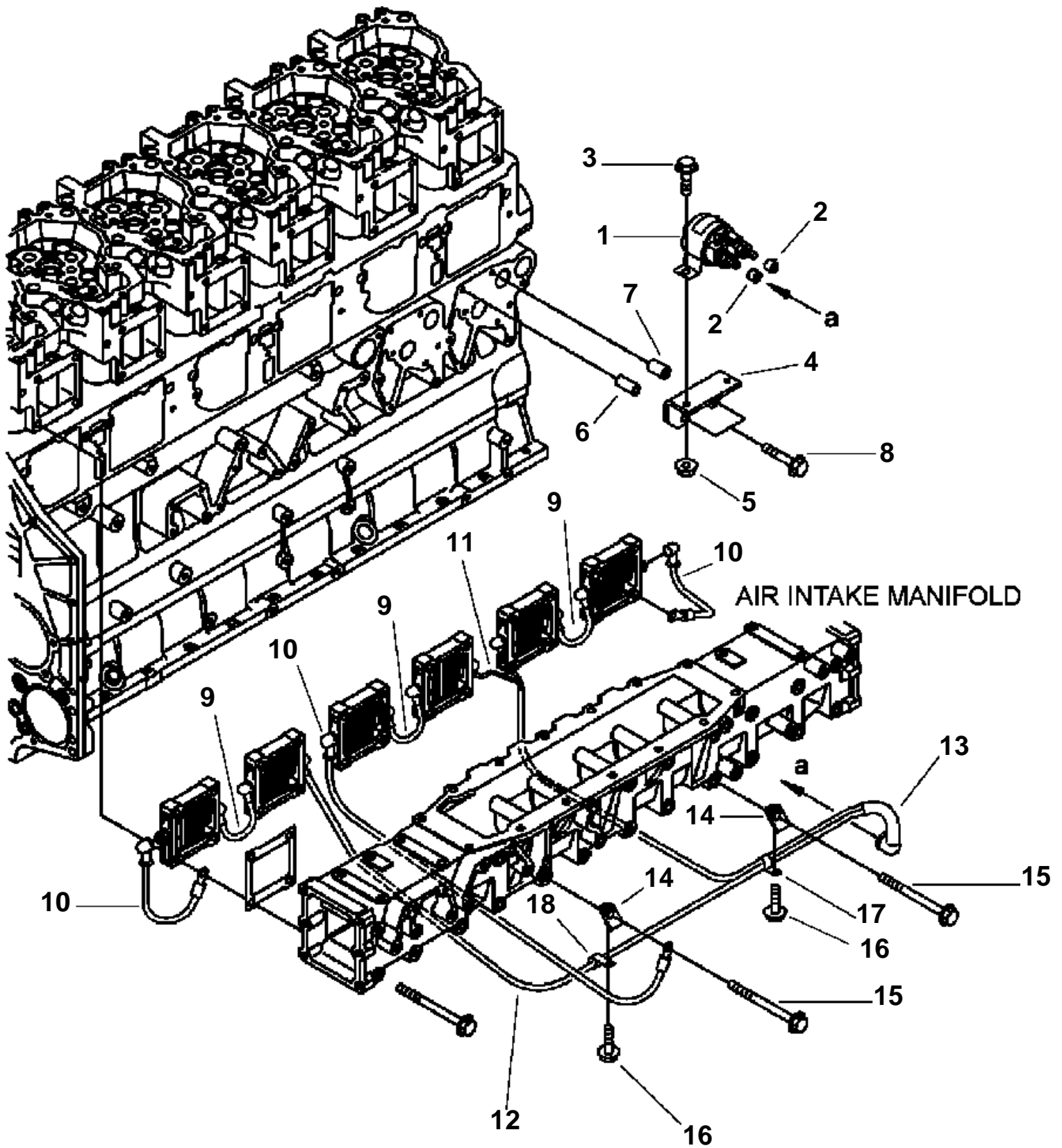
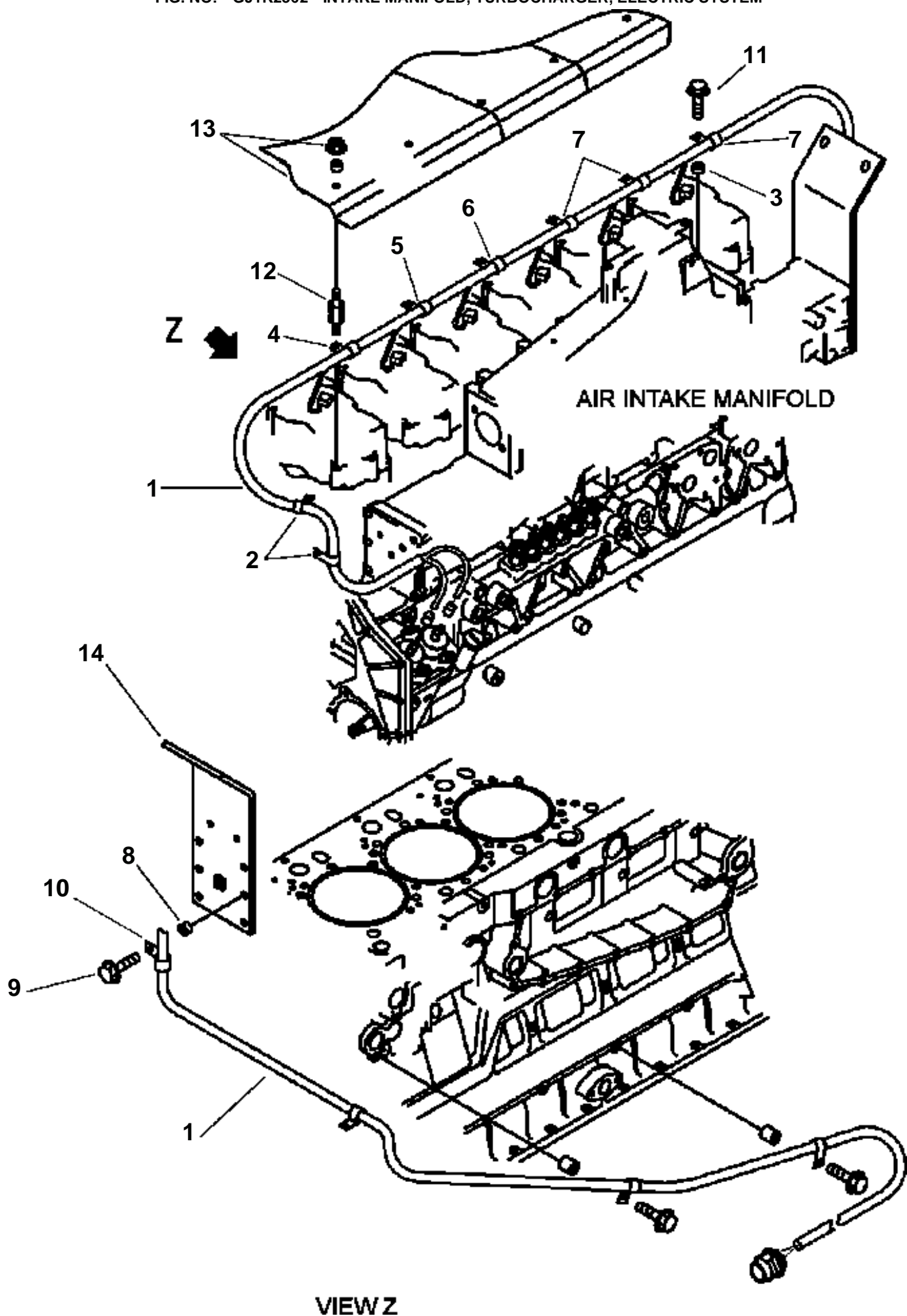


FIG. NO: GJ1K2361

INDEX NO.	PART NO.	DESCRIPTION	Q.TY	SERIAL NO.
1	600-815-2690	SWITCH	1	
2	6131-12-5920	SPACER	2	
3	01435-00820	SCREW	2	
4	6217-81-4410	BRACKET	1	
5	01584-00806	NUT	2	
6	203-54-11170	SPACER	1	
7	6164-11-5590	SPACER	1	
8	01435-01055	SCREW	2	
9	6212-81-4211	WIRE	3	
10	6217-81-4231	WIRE	3	
11	6212-81-4271	WIRE	1	
12	6212-81-4261	WIRE	1	
13	08038-06031	CAP	1	
14	6215-25-5830	STAY	2	
15	01436-01075	BOLT	2	
16	01435-00820	SCREW	2	
17	04434-51610	CLIP	1	
18	04434-50810	CLIP	1	

FIG. NO: GJ1K2362 INTAKE MANIFOLD, TURBOCHARGER, ELECTRIC SYSTEM



VIEW Z

FIG. NO: GJ1K2362

INDEX NO.	PART NO.	DESCRIPTION	Q.TY	SERIAL NO.
1	6217-81-8712	WIRING HARNESS	1	
2	04434-51010	CLIP	2	
3	6691-41-8230	SPACER	6	
4	04434-51310	CLIP	1	
5	04434-51510	CLIP	1	
6	04434-51710	CLIP	1	
7	04434-51810	CLIP	3	
8	6131-12-5920	SPACER	1	
9	01435-01040	SCREW	1	
10	04434-51810	CLIP	1	
11	01435-00825	SCREW	1	
12	6217-11-9790	SCREW	5	
13	6217-11-9880	PROTECTOR	1	
14	6217-11-4651	BRACKET	1	

FIG. NO: GJ1K2363 INTAKE MANIFOLD, TURBOCHARGER, ELECTRIC SYSTEM

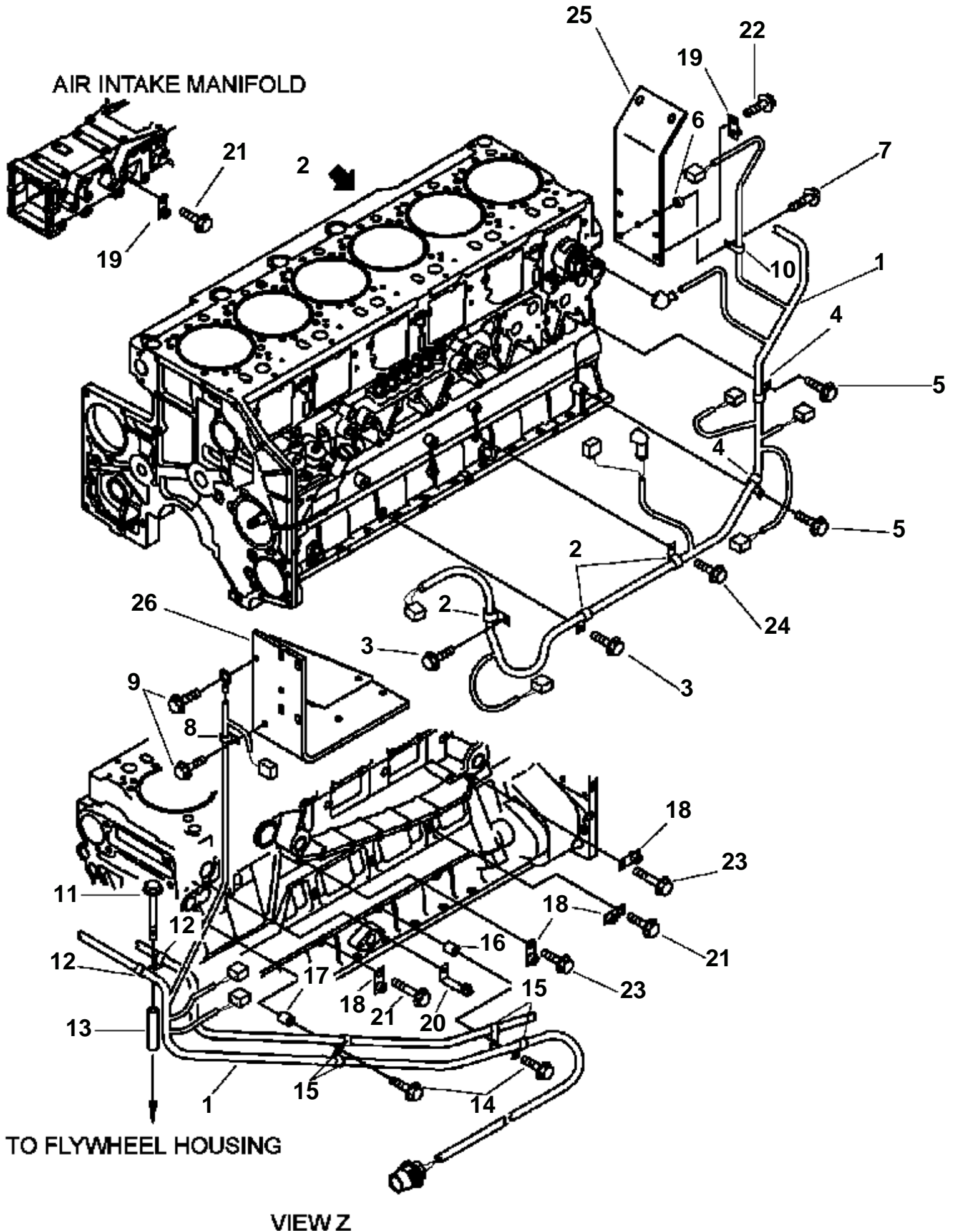


FIG. NO: GJ1K2363

INDEX NO.	PART NO.	DESCRIPTION	Q.TY	SERIAL NO.
1	6217-81-8722	WIRING HARNESS	1	
2	04434-50810	CLIP	3	
3	01435-01016	SCREW	2	
4	04434-51210	CLIP	2	
5	01435-01016	SCREW	2	
6	6131-12-5920	SPACER	1	
7	01435-01040	SCREW	1	
8	04434-50810	CLIP	1	
9	01435-01016	SCREW	2	
10	04434-51810	CLIP	1	
11	01436-01015	SCREW	1	
12	04434-51810	CLIP	2	
13	6207-11-5970	SPACER	1	
14	01435-01045	SCREW	2	
15	04434-51810	CLIP	4	
16	144-874-7470	BOSS	1	
17	144-874-7470	BOSS	1	
18	426-06-11570	BRACKET	4	
19	426-01-11310	BRACKET	2	
20	425-03-11420	BRACKET	1	
21	01435-01020	SCREW	3	
22	01435-01030	SCREW	1	
23	01435-01065	SCREW	2	
24	01435-01025	SCREW	1	
25	6217-11-4651	BRACKET	1	
26	6217-11-4861	BRACKET	1	

FIG. NO: GJ1K2364 TURBOCHARGER, ATTACHING PARTS

TO AIR INTAKE MANIFOLD

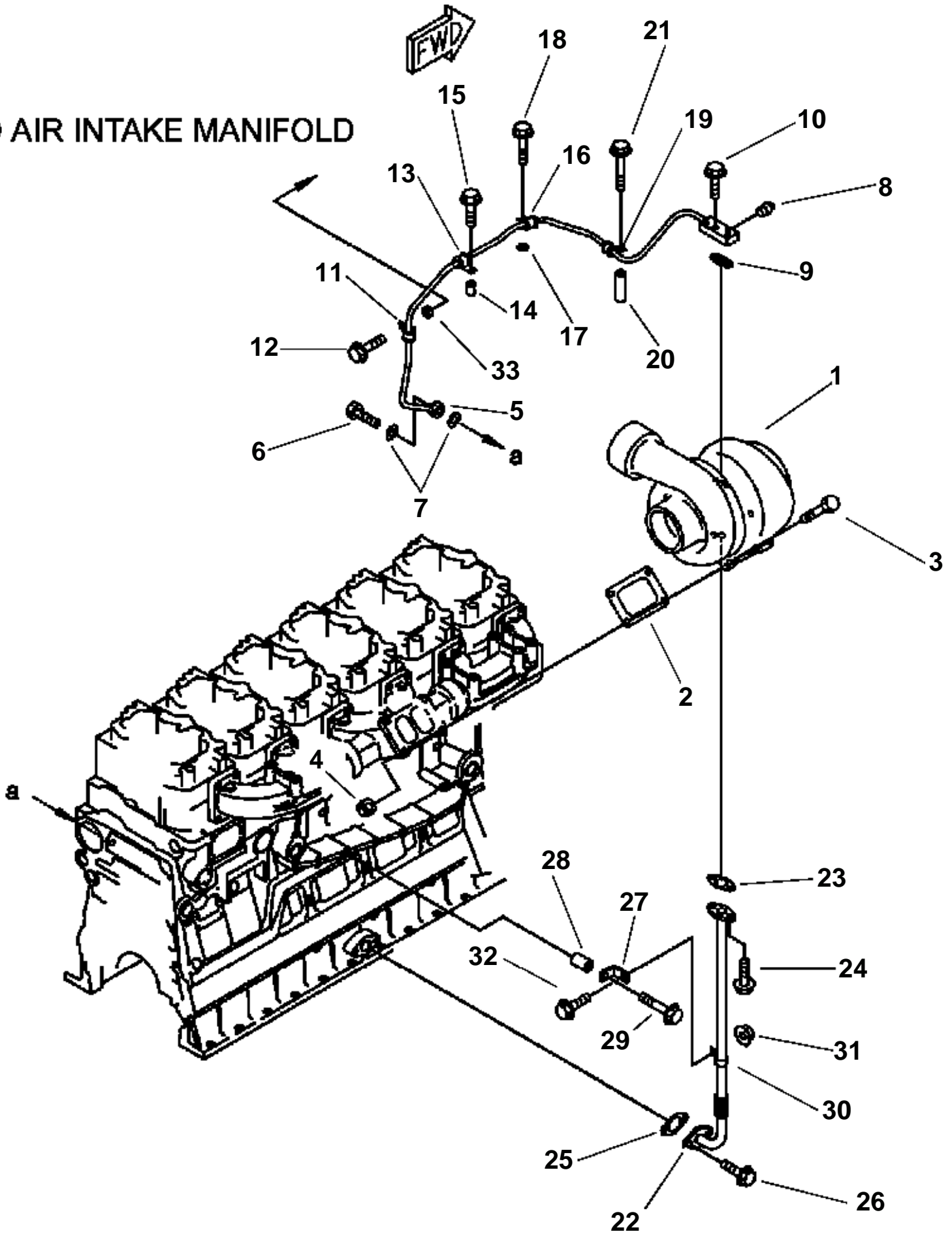




FIG. NO: GJ1K2364

INDEX NO.	PART NO.	DESCRIPTION	SEE FIG	SEE PAGE	Q.TY	SERIAL NO.
1	6505-65-5020	TURBOCHARGER ASS'Y			1	
		TURBOCHARGER ASS'Y	GJ1K2366	01-48		
2	6218-11-5830	GASKET			1	
3	6138-13-4510	SCREW			4	
4	6114-11-5590	NUT			4	
5	6217-51-8161	TUBE			1	
6	07206-31014	BANJO BOLT			1	
7	07005-01412	SEAL			2	
8	07042-00108	PLUG			1	
9	6151-51-8161	GASKET			1	
10	01435-01035	SCREW			2	
11	6215-71-4940	CLAMP			1	
12	01435-01025	SCREW			1	
13	6215-71-4930	CLAMP			1	
14	195-979-3510	SPACER			1	
15	01435-00825	SCREW			1	
16	6215-71-4940	CLAMP			1	
17	6136-11-2980	SPACER			1	
18	01435-01050	SCREW			1	
19	6215-71-4940	CLAMP			1	
20	6136-11-5120	SPACER			1	
21	01435-01085	SCREW			1	
22	6217-51-8110	TUBE			1	
23	6151-51-8151	GASKET			1	
24	01435-01025	SCREW			2	
25	6127-51-6822	GASKET			1	
26	01435-01025	SCREW			2	
27	6217-51-8150	GASKET			1	
28	6150-81-6920	SPACER			1	
29	01435-01070	SCREW			1	
30	04434-51910	CLIP			1	
31	01584-01008	NUT			1	
32	01435-01020	SCREW			1	
33	21T-72-14930	SPACER			1	

FIG. NO: GJ1K2365 TURBOCHARGER, ATTACHING PARTS

